



---

# 4400 Series

Institutional Door Closer



An ASSA ABLOY Group brand

**ASSA ABLOY**



# The Engineer's Choice

Yale's 4400 Series Institutional Door Closers offer customers the ideal combination of superior performance, quality and strength. With upgraded pinion and piston materials, improved valve design, and staked valves, the closers are the most efficient, dependable closers in the industry. The size 1-6 spring also simplifies the process of specifying and ordering product.

This U.L. listed, ANSI/BHMA Grade 1 certified closer has a proven history. It is an ideal choice for interior or exterior doors in facilities that demand reliability such as schools, office buildings, hospitals, department stores and airports.

## CONTENTS

Overview .....	3
Fasteners and Features .....	4-5
Optional Features .....	5-6
Suggested Specifications .....	7
Applications .....	8-12
Technical Details .....	13-23
Accessories .....	24-31
Parts List .....	32-45
How To Order .....	46-47

## FINISHES

Product will be painted with a combination of waterborne acrylic and polyester powder coat. Closers will withstand 100 hours of salt spray. (ANSI requires 25 hours.)

### Sprayed Finishes

Description	Specify Designation (ANSI/BHMA)	Complements the following finishes	Old Designation
Aluminum	689	625, 628, 629, 630, 651, 652	SB
Statuary Bronze	690	613, 640, 695	STAT
Dull Bronze	691	612, 637, 639	BL
Black	693	315	315
Medium Amber	694	312	312
Gold	696	605, 606, 632, 633	GB
Dark Oxidized Satin Bronze - equivalent	613E	613	—
Prime Coat (Beige)*	600	—	SRI

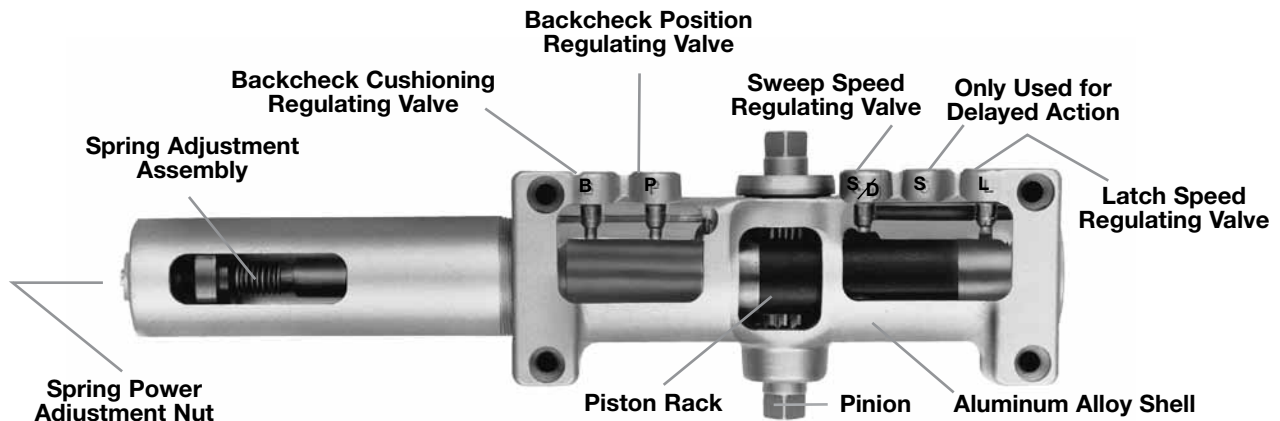
\*600 is a special rust-inhibiting prime coat. Closers can be ordered prime coat only (specify closer x 600). An additional charge applies if finish coat is required over prime coat (ex: 4400 x 600 x 689).

Plated Finishes	Specify Designation (ANSI/BHMA)	Metal Covers Only	Old Designation
Bright Brass	605	Yes	US3
Satin Brass	606	Yes	US4
Bright Bronze	611	Yes	US9
Satin Bronze	612	Yes	US10
Bright Chrome	625	Yes	US26
Satin Chrome	626	Yes	US26D




\* When a plated finish is ordered, arm and cover will be plated unless "cover only" is specified.

## Overview

### CUTAWAY VIEW



### COMPLIANCE STANDARDS

- ANSI/BHMA A156.4, Grade 1 certified 
- UL / cUL listed for use on fire rated doors 
- UL10C listed for positive pressure fire test
- 4400 door closers are designed to comply with requirements for the Americans with Disabilities Act (ADA) and ANSI standard A117.1 
- Manufactured in an ISO 9001 facility



An Environmental Product Declaration (EPD) documents the cradle-to-grave life cycle of a product and how it affects the environment. An important aspect of EPD® is to provide the basis of a fair comparison of products and services by its environmental performance. EPDs can reflect the continuous environmental improvement of products and services over time and are able to communicate and add up relevant environmental information along a product's supply chain.

### CAUTION: Door Closers for Low Opening Force Applications

Door closers installed in opening required of The Americans with Disabilities Act or ANSI Standard A117.1, when adjusted to meet those requirements, may not provide adequate closing power to dependably close and latch the door.

### STANDARD FEATURES

- Exceeds 15 million cycles
- Cast aluminum body
- Adjustable spring sizes 1 through 6 (ADA Compliant)
- Tri-packed (regular arm, top jamb, and parallel arm mounting)
- Rack and pinion design
- Staked valves
- Separate and independent, latch, sweep and backcheck intensity valves
- Non-handed
- 1-1/2" (38mm) diameter piston
- 5/8" (16mm) diameter pinion journals
- 2-1/8" (54mm) projection (standard covers)
- All standard arm applications allow doors to swing 180°, conditions permitting
- 25-year limited warranty
- Self-drilling screws
- Molded plastic cover
- Backcheck positioning valve
- Full-size template

### OPTIONAL FEATURES

- Corrosion-resistant model (Non-Hold Open only) (4400S only)
- Metal cover
- Enhanced backcheck (specify EBC suffix)
- Delayed action with pressure relief valve
- Heavy-duty arms: Regular Rigid, Parallel Rigid, Holder/Stop, Holder/Stop Spring, UNI Stop™
- Slide Tracks: push or pull side mounting
- Lead-lined metal cover (specify MLL suffix)



# Fasteners and Features

## FASTENERS

Type	Description	Arm								
		RA	PA	TJ	Low Profile	PR	Holder/Stop, Holder/Stop Spring	UNI	UNI-J	Slide Track
<b>DOOR</b>										
<b>SDST</b>	Self Drilling Self Tapping	<b>S</b>	<b>S</b>	<b>S</b>	<b>S</b>	<b>S</b>	<b>S</b>	<b>S</b>	<b>O</b>	<b>O</b>
<b>MS</b>	Machine Screw	<b>S</b>	<b>S</b>	<b>S</b>	<b>S</b>	<b>S</b>	<b>S</b>	<b>S</b>	<b>S</b>	<b>S</b>
<b>SN</b>	Sleeve Nut	<b>O</b>	<b>O</b>	<b>O</b>	<b>O</b>	<b>S</b>	<b>S</b>	<b>S</b>	<b>S</b>	<b>S</b>
<b>TBGN</b>	Thru Bolts & Grommet Nuts	<b>O</b>	<b>O</b>	<b>O</b>	<b>O</b>	<b>O</b>	<b>O</b>	<b>O</b>	<b>O</b>	<b>O</b>
<b>SMS</b>	Sheet Metal Screws	<b>O</b>	<b>O</b>	<b>O</b>	<b>O</b>	<b>O</b>	<b>O</b>	<b>O</b>	<b>O</b>	<b>O</b>
<b>TORX</b>	TORX Drive Security Screw	<b>O</b>	<b>O</b>	<b>O</b>	<b>O</b>	<b>O</b>	<b>O</b>	<b>O</b>	<b>O</b>	<b>O</b>
<b>FRAME</b>										
<b>SDST</b>	Self Drilling Self Tapping	<b>S</b>	<b>S</b>	<b>S</b>	<b>S</b>	<b>S</b>	<b>S</b>	<b>S</b>	<b>S</b>	<b>S</b>
<b>MS</b>	Machine Screw	<b>S</b>	<b>S</b>	<b>S</b>	<b>S</b>	<b>S</b>	<b>S</b>	<b>S</b>	<b>S</b>	<b>S</b>
<b>SMS</b>	Sheet Metal Screws	<b>O</b>	<b>O</b>	<b>O</b>	<b>O</b>	<b>O</b>	<b>O</b>	<b>O</b>	<b>O</b>	<b>O</b>
<b>TORX</b>	TORX Drive Security Screw	<b>O</b>	<b>O</b>	<b>O</b>	<b>O</b>	<b>O</b>	<b>O</b>	<b>O</b>	<b>O</b>	<b>O</b>

**S = standard; O = optional**

**SN** are for use on unreinforced hollow metal doors or to prevent any hollow metal door from collapse/dimpling. They can also be used for thru bolting on wood doors. SN are supplied for 1-3/4" (44mm) thick doors unless specified for 2-1/4" (57mm) thick doors.

**TBGN** are an alternative to SN for wood doors. TBGN are supplied standard for 1-3/4" (44mm) thick doors. They can be specified for 1-3/8" (35mm) thick doors.

**SMS** - when specified, closer will be packed with sheet metal screws for the door **AND** sheet metal screws plus machine screws for the frame.

**TORX** are only available with machine screw threads. Sheet metal screw threads are not available.

## FEATURES

### Aluminum Alloy Housing

Closer bodies are constructed of a special aluminum alloy, carefully selected to accommodate interactive steel components and operating conditions.

### Rack & Pinion Operation

Provides a smooth constant control of the door through its full opening and closing cycle. 180° door swing can be achieved when door, frame, hardware and arm function do not interfere.

### Non-handed

With few exceptions all 4400 series door closers are non-handed and can be installed on either right or left-hand swing doors. Pinion shaft extends vertically through the closer body in both directions. Some options, as noted on page 5, will require that the hand of the closer be specified.

### Sweep Speed Control Valve

Allows adjustment of door speed from the door's full open position down to approximately 10° from the closed position.

### Latch Speed Control Valve

Allows adjustment of door speed from approximately 10° down to the door's fully closed position.

### Closer Fluid

All door closers are supplied with a temperature stable, multi-viscosity fluid. This fluid will permit the door closer to perform within a wide temperature range: from very high to as low as -40°F.

### Tri-Packed

4400 series come with screws, brackets and soffit plates to allow for regular, top jamb, and parallel arm installations.

### Adjustable Backcheck Cushion Valve

Provides control of the door in the opening cycle, beginning at approximately 75° of door opening. It slows/cushions the door opening when the door is forcibly opened beyond its pre-adjusted limits.

### Adjustable Backcheck Position Valve

Allows the door opening position, where backcheck cushioning begins to be adjusted to a greater door angle up to a maximum of 20° farther (approximately 95°).

### Standard Molded Covers

Molded of high-impact U.L. listed material. This cover is non-handed for all applications. See page 5 for optional metal cover.

### Warranty

Limited 25-year warranty for defects and life of the building on the aluminum housing.



---

## Optional Features

---

### DOOR CLOSER POWER OPTIONS

#### **Series 4400 Multi-Sized Door Closer**

Adjustable through the power range of sizes 1 through 6; as outlined in ANSI/BHMA standard A156.4.

The series 4400 also conforms to the minimum opening force requirements for The American with Disabilities Act (ADA) and ANSI/BHMA standard A117.1 for interior doors.

---

### OPTIONAL COVERS



#### **Optional Metal Cover**

This steel cover is non-handed for regular and parallel arm applications, but is handed for top jamb applications. Cover is available in sprayed or plated finishes.

#### **Optional ABS Cover**

Contact factory for details.

---

### OPTIONAL FEATURES

#### **Corrosion-Resistant Door Closer**

The series 4400S door closers with molded plastic cover are available for use where brass conditions exist. This series is provided with brass adjustment valves adjustment valves, a 440 grade stainless steel pinion shaft, an all-aluminum body and bronze closer arm bushing; all other components and fasteners are of 302/303 grade stainless steel. Fasteners are 8-18 stainless steel. This product is available for standard regular arm, top jamb and parallel arm, non-hold open applications only.



## Optional Features

### DELAYED ACTION

#### Adjustable Delayed Action Closing

An optional hydraulic feature that adds a third speed range to the closing cycle. This feature becomes effective when the door is opened and released at any point beyond 70°. The amount of time delay depends upon the combination of the angle of door release and valve adjustment. The valve can be adjusted with a 1/8" (3mm) hex key from no delay time up to maximum delay times of:

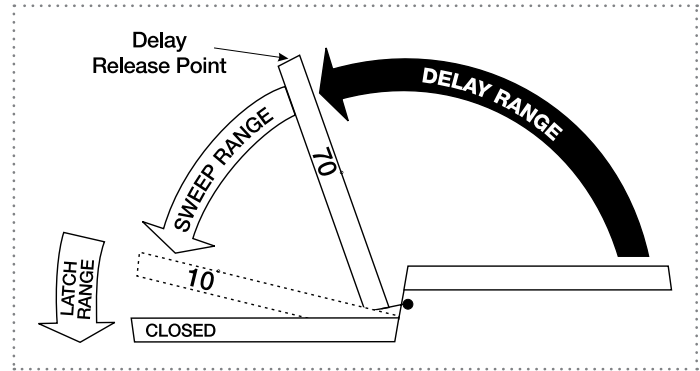
Door Opened and Released at	Approximate Time of Delay Cycle
180°	4-5 minutes
120°	2-3 minutes
90°	25-30 seconds

#### Pressure Relief Safety Valve

The delayed action hydraulic system contains a pressure relief valve. Any time the door is forced toward the closed direction while it is in the closing cycle, the valve will open and permit the door to close. This prevents damage to door, frame and closer.

#### Suggested Applications

Delayed Action closing allows slow-moving traffic to clear the opening before the door closer's normal closing cycle begins. This feature can be helpful in health care facilities such as hospitals and nursing homes. It provides sufficient time for persons on crutches or in wheelchairs to pass through a door without concern of it closing. At the same time, it can accommodate the facility's staff with movement of food service carts, beds, and other wheeled traffic.



Use of delayed action closers on many doors throughout industrial and commercial buildings can also assist the flow of traffic. Locations where additional time to clear the opening is advantageous are doors between office and factory/warehouse facilities, doors to workshops or laboratories, to kitchen and food processing areas, etc.

#### Enhanced Backcheck

This feature provides adjustable backcheck intensity beginning at approximately 15° of the door opening cycle. It is intended for use in situations where the standard backcheck beginning at approximately 75° of door opening allows too much unrestricted door travel to obtain control of the door without the fear of peripheral damage to the door closer, door, frame, hinges or pivots; or adjacent walls or structures. This feature is most frequently used in schools and detention facilities. Specify suffix EBC.

### ARMS

#### Non-Hold Open

Self-closes door every time door is opened. Auxiliary stop (by others) required except when using the Holder/Stop, Holder/Stop Spring or UNI Stop™ arms.

#### Hold Open

Achieved by means of friction or ball and detent/roller. Friction hold open has a range of 90° to 180° using template location and mechanical adjustment.

Ball and detent or roller hold open is effective in a range of 85° to 110°.

Hold open arm door closers are not permitted to be used on fire door assemblies.

#### Door Opening Degrees

Arm Function	Regular Arm, Top Jamb, Parallel Arm	Parallel Rigid Arm	Holder/Stop Parallel Arm	Holder/Stop Spring Parallel Arm	UNI Stop Parallel Arm	UNI Stop Top Jamb	Low Profile	Slide Track
Non-Hold Open	✓	✓	85° to 110°	85° to 110°	85° to 110°	85° to 110°	✓	85° to 110°/180°
Hold Open	90° to 180°	85° to 180°	85° to 110°	85° to 110°	85° to 110°	85° to 110°	N/A	85° to 110°

✓=180° trim and template permitting



---

## Suggested Specifications

---

### 4400 SERIES

Closers for interior and exterior doors shall be full rack-and-pinion type with cast aluminum alloy shell. Closers shall be surface mounted and shall project no more than 2-3/16" from the surface of the door. Closers shall be non-handed to permit installation on doors of either hand. Closer fluid shall contain lubricity and anti-oxidation agents. Closer fluid shall maintain stable viscosity to allow door closer to perform in temperatures ranging from extremely high to as low as -40°F. Closers shall have multi-size spring power adjustment to permit setting of spring from size 1 through 6. Closers shall have two non-critical valves, hex key adjusted, to independently regulate sweep and latch speed. Closers shall have backcheck cushioning controlled by a hex key adjusted valve. Closers shall have backcheck position controlled by a hex key adjusted valve.

[Closers shall have adjustable delayed-action closing controlled by a hex key adjustable valve.]

[Closers shall be highly corrosion resistant and shall have all external body components of aluminum, zinc alloy or stainless steel material and all fasteners of stainless steel.]

Regular arm and top jamb closers shall have a non-hold open shoe permitting 15% ( ± 7-1/2% ) power adjustment.\*\*Closers shall be enclosed in a [molded resin cover], [plated or sprayed metal cover]. Closers to be Yale® [4400] [4400M] [4400S].

\*\*For special arms insert the appropriate specification here (see below).

---

### \*\*UNI STOP™ ARM

Door closers shall have a fixed door stop feature effective at one point selected at installation, from 85-110° in five-degree increments. Door stop shall be cushioned by a shock-absorbing heavy-duty spring action effective at the [soffit plate] [arm shoe] pivot. [Closers shall be provided for parallel arm installation using rigid steel main arm and secondary arm lengths proportional to the door width.] [Closers shall be provided for top jamb installation using steel, rigid main arm and telescoping secondary arm adequate for the frame reveal of the openings.]

---

### \*\*HOLDER/STOP ARM

Door closers shall have a field reversible door stop. Hold open tension shall be adjustable effective at one point selected at installation, from 85° - 110° in five degree increments. Closers shall be provided for parallel arm installation using a forged rigid steel main arm and secondary arm.

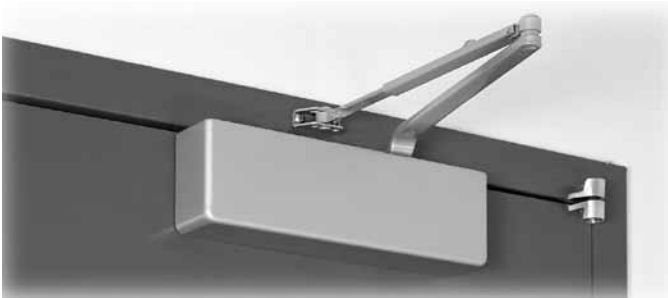
---

### \*\*HOLDER/STOP SPRING ARM

Door closers shall have built-in door stop [and holder] effective at one point selected at installation, from 85° - 110° in five-degree increments. Door stop mechanism shall be reversible and have a buffer spring that engages prior to the dead stop feature, reducing shock loads to the door and frame assembly. Door stop mechanism shall be attached to soffit plate. [Hold open mechanism shall have engage/disengage selection actuated by thumbturn]. Closers shall be provided for parallel installation using a forged rigid steel main arm and secondary arm.



## Applications



Non-hold open arm shown

### REGULAR ARM

This is the only pull-side application where a double lever arm is used. It is the most power-efficient application for a door closer. Sufficient frame, door and/or ceiling clearance must be considered.

Since the arm assembly projects directly out from the frame, this application may present an aesthetics issue or be prone to vandalism.



Non-hold open arm shown

### PARALLEL ARM

This application provides the most appealing design appearance for a surface-mounted door closer having a double lever arm. This also makes it beneficial in vandalism-prone areas. It is on the push side of the door and the arm assembly extends almost parallel to the door. In the closed position, there is very little or no hardware projecting beyond the frame face in most situations.

Due to the geometry of the arm it is approximately 25% less power efficient than a regular arm application.

The entire closer and arm assembly are mounted below the frame stop, requiring a top rail clearance on the door of between 6-5/8" (168mm), when using a low profile arm, to 7-1/4" (184mm), when using the hold open arm.



Non-hold open arm shown

### TOP JAMB

For efficiency reasons this application provides the best alternative to the regular arm application. There must be sufficient frame face and/or ceiling clearance for this application. It requires a top rail on the door of just 2-1/8" (54mm). This application provides the best door control for doors in exterior walls that swing out of a building.

The entire door closer and arm assembly project from the frame, similar to the regular arm application, where the matters of appearance and malicious abuse can be of concern. Consideration must be given to depth of reveal.



## Applications



Non-hold open arm shown

### Parallel Rigid Arm

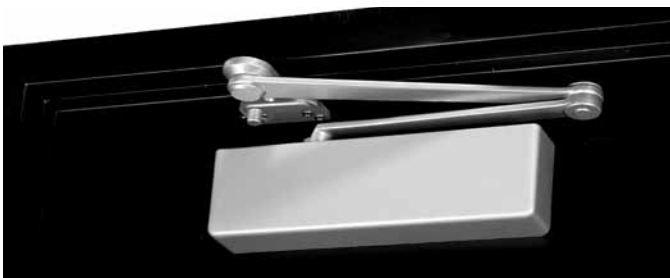
An enhanced variation of the standard parallel arm assembly that is intended for use in heavy traffic areas where auxiliary door stops are installed. Hold open available – specify hand when ordering.



Non-hold open arm shown

### Parallel Rigid Offset Arm

This heavy-duty parallel rigid arm provides additional vertical clearance. It is well suited for applications where weather-stripping or other hardware prevents the use of the standard Parallel Rigid (PR) soffit plate. The non-hold open and hold arms allow 1-1/4" clearance. When used in conjunction with a #6891 spacer block, the PRO arm provides 1-7/8" clearance to accommodate the use of a surface overhead stop/holder.



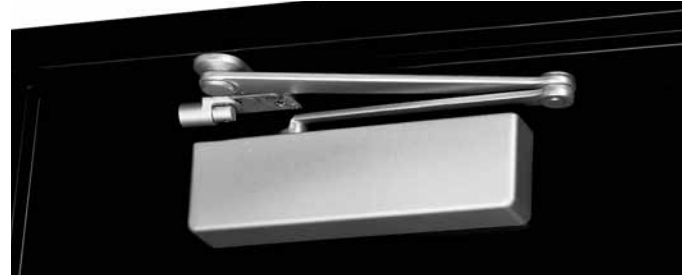
Non-hold open arm shown

### Holder/Stop Arm

Similar to the Parallel Rigid arm, this arm incorporates a stop at the arm's soffit plate to dead stop the door at a predetermined degree of door swing between 85° and 110°, in 5° increments. Prior to dead stop the door closer's backcheck feature slows the door speed to reduce the impact of the stop action.

The Holder/Stop Arm is intended for use where an auxiliary door stop cannot be utilized and no more than moderate abuse is anticipated. Where more extreme conditions are expected, use of a UNI Stop™ arm is recommended.

Thumbturn hold open available. (Hold open strength is adjustable.)



Non-hold open arm shown

### Holder/Stop Spring Arm

This heavy-duty stop arm includes all of the features of the Holder/Stop arm, plus an additional steel buffer spring that provides greater protection at the end of the door opening cycle. For extreme conditions, use of a UNI Stop™ is recommended. Available with or without hold open.

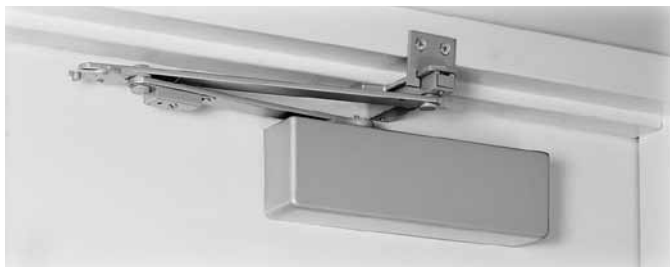


## Applications



### Regular Rigid Heavy-Duty Arm

This double lever arm features a non-adjustable secondary arm. Orbitally riveted joints prevent tampering or disassembly. Prefix "R" to model number. Available non-hold open only.



Parallel arm



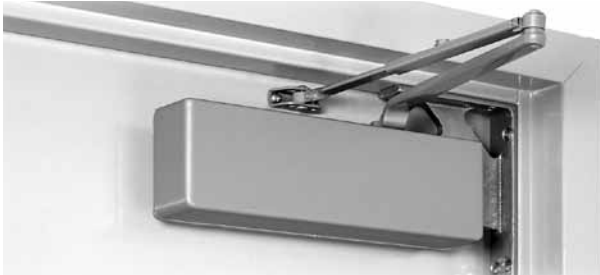
Top jamb

### UNI Stop™ Arm

Can be used for either parallel arm or top jamb applications. *UNI Stop* arms combine the features of a double lever arm overhead door stop/holder with the backcheck feature of the door closer to reduce door stopping shock loads to a minimum. The *UNI Stop* uses a compression spring buffer at the soffit plate/arm shoe that will absorb 30 lbf. of force, 5° prior to the door's dead stop. Coupled with the door closer's backcheck feature, this arm provides the most controlled stop available with a surface door closer.

For parallel arm applications there are three different length arm assemblies. Each length is designed for a specific range of door widths to provide precise door control. This further lessens the dead stop impact on the door's hinges/pivots.

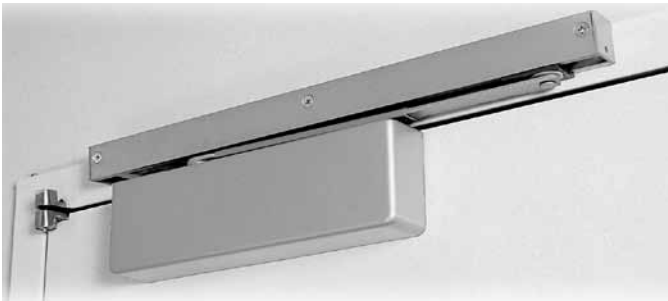
## Applications



### Corner Bracket

This application can be used where top jamb and parallel arm application will not accommodate the door and frame conditions. Requires minimal top rail on the door; however, vertical clearance to the floor within the door opening should be checked to ensure code compliance.

The close proximity, for this application, of the door closer to the door's pivot point reduces the door closer's power efficiency by approximately 25% when compared to a regular arm. The projection of the arm from the door face might pose questions regarding design parameters.



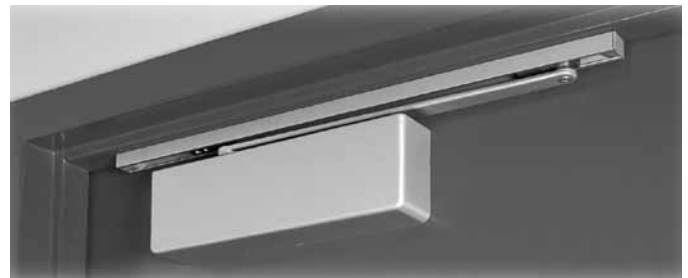
Pull Side



Low Profile Pull Side



Push Side



Low Profile Push Side

### Slide Track

Whether pull or push side mounted, this provides the designer with the smoothest lines available in a surface mounted door closer. The single lever arm allows components to be located in a stack configuration to minimize projection and eliminate obtrusive arm angles.

The arm geometry reduces door closer power efficiency by approximately 25% from that of a regular arm.



---

## Applications



Regular arm



Parallel arm

### **Low Profile Arm**

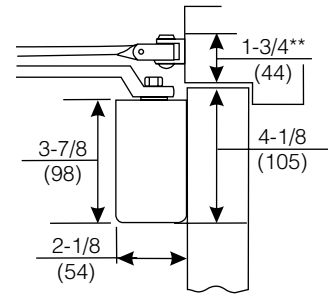
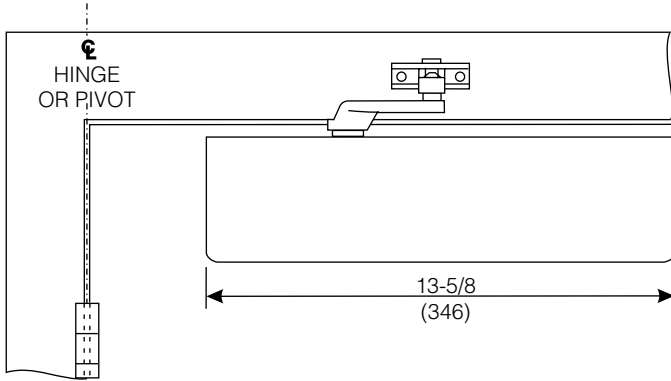
Supplied with 2400/4480 series door closers for non-hold open installations only. These arms have a reduced height elbow joint and a straight main arm. This enables the door closer to be installed in less vertical space:

**Regular Arm** Allows closer to be installed where there is as little as 1" (25mm) of frame face or ceiling clearance.

**Parallel Arm** Allows closer to be installed 1/2" (13mm) higher up on door than standard parallel arm application.



# Regular Arm



Mounting holes for closer body are spaced 2-3/8" (60mm) vertically x 6-3/4" (171mm) horizontally.

\*\* This dimension will vary. Standard non-hold open arm illustrated.

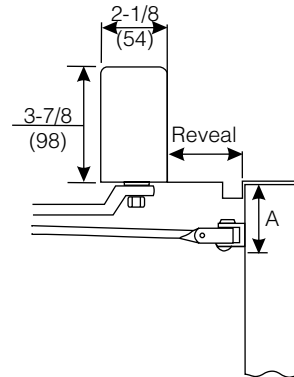
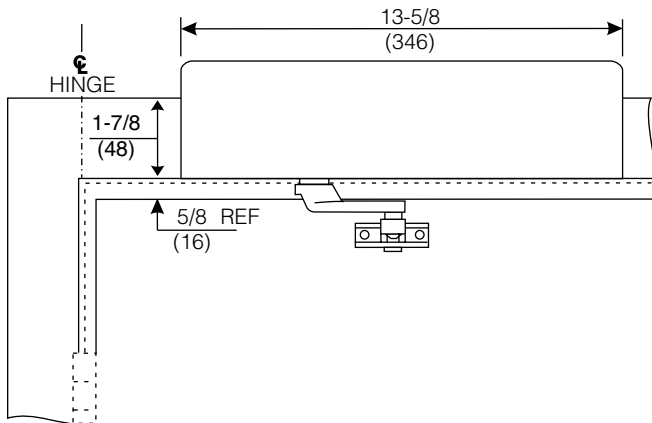
Maximum Door Width Inches (cm)		Model Number	
Interior	Exterior	Non-Hold Open	Hold Open
32" (81)	30" (76)		
38" (97)	34" (86)		
48" (122)	42" (107)	4400	4410
54" (137)	48" (122)		
Unusual Conditions			

**Note: 4400 door closers are set at mid-power range from the factory and can be adjusted for door sizes noted above.**

**^Consult factory if door weight exceeds 250 lbs.**



# Top Jamb



Mounting holes for closer body are spaced 2-3/8" (86mm) vertically x 6-3/4" (171mm) horizontally.  
 \*\* Minimum frame face with 486 back plate. 3-1/4" (83mm) required when drop plate is not used.

Model Number	Reveal Range Inches (mm)	Maximum Door Opening
<b>Non-Hold Open Arm</b>		
4400/4400M	0" to 3" (0 to 76)	180°
TJ4400	2-3/4" to 7" (70 to 178)	150°
TJL4400	2-3/4" to 7" (70 to 178)	180°
TJL4480 x 487	0" to 2-3/4" (0 to 70)	180°
<b>Hold Open Arm</b>		
4410 4410M	0" to 3" (0 to 76)	180°
TJ4410	2-3/4" to 6-3/4" (70 to 171)	150°
TJL4410	2-3/4" to 6-3/4" (70 to 171)	180°

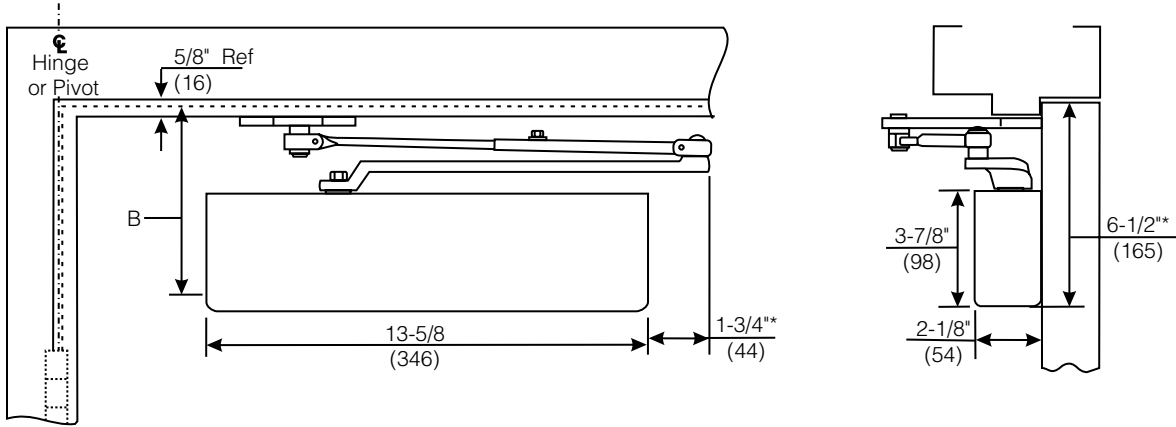
A Minimum top rail of door Inches (mm)					
Without drop plate or with 486 back plate			With 487 drop plate		
(TJ)4400	(TJ)4410	(TJ)4480	(TJ)4400	(TJ)4410	(TJ)4480
2" (51)	2-1/2" (64)	N/A	4-1/8" (105)	4-5/8" (117)	3-5/8" (92)
Maximum Door Width Inches (cm)			Model Number		
Interior	Exterior	Non-Hold Open		Hold Open	
32" (81)	30" (76)	(TJ)4400		(TJ)4410	
38" (97)	34" (86)				
48" (122)	42" (107)				
54" (137)	48" (122)				
Unusual Conditions					

**Note:** 4400 door closers are set at mid-power range from the factory and can be adjusted for door sizes noted above.

^Consult factory if door weight exceeds 250 lbs.



# Parallel Arm



Mounting holes for closer body are spaced 2-3/8" (86mm) vertically x 6-3/4" (171mm) horizontally.

\*\* This dimension will vary. Standard non-hold open arm illustrated.

B					Maximum Door Width		Model Number	
Minimum top rail of door with 5/8" (16mm) frame stop					Inches (cm)		Non-Hold Open	Hold Open*
Inches (mm)					Interior	Exterior		
4400	4410	PA4480	4410	PA4480	30" (76)	—	(PA)4400	(PA)4410
5-7/8" (149)	6-1/4" (159)	5-3/8" (137)	2-3/4" (70)	1-7/8" (48)	36" (91)	30" (76)		
					42" (107)	36" (91)		
					48" (122)	42" (107)		
					54" (137)	48" (122)		

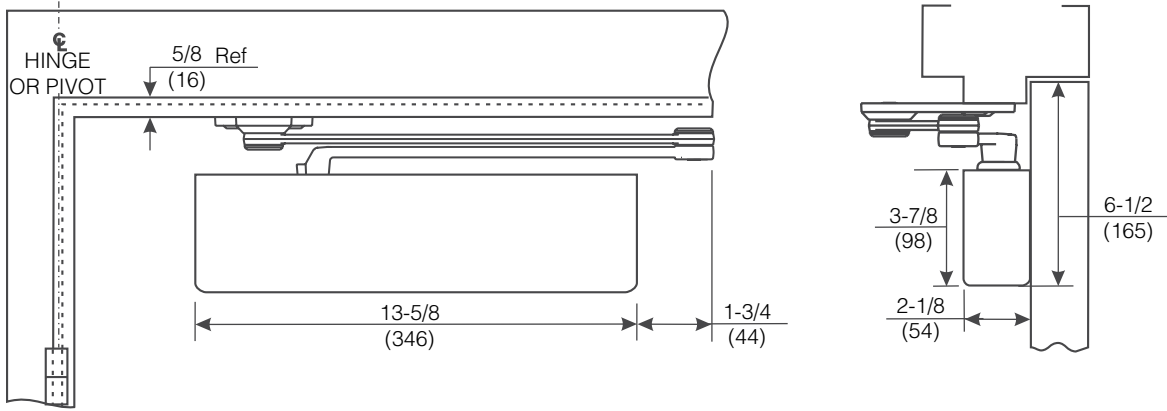
**Note:** 4400 door closers are set at mid-power range from the factory and can be adjusted for door sizes noted above.

\* Specify hand when ordering.

^Consult factory if door weight exceeds 250 lbs.



# Parallel Rigid Arm



Mounting holes for closer body are spaced 2-3/8" (60mm) vertically x 6-3/4" (171mm) horizontally.

Maximum Door Width Inches (cm)		Model Number	
Interior	Exterior	Non-Hold Open	Hold Open*
30" (76)	—	PR4400	PR4410
36" (91)	32" (81)		
42" (107)	36" (91)		
48" (122)	42" (107)		
—	48" (122)		

**Note:** 4400 door closers are set at mid-power range from the factory and can be adjusted for door sizes noted above.

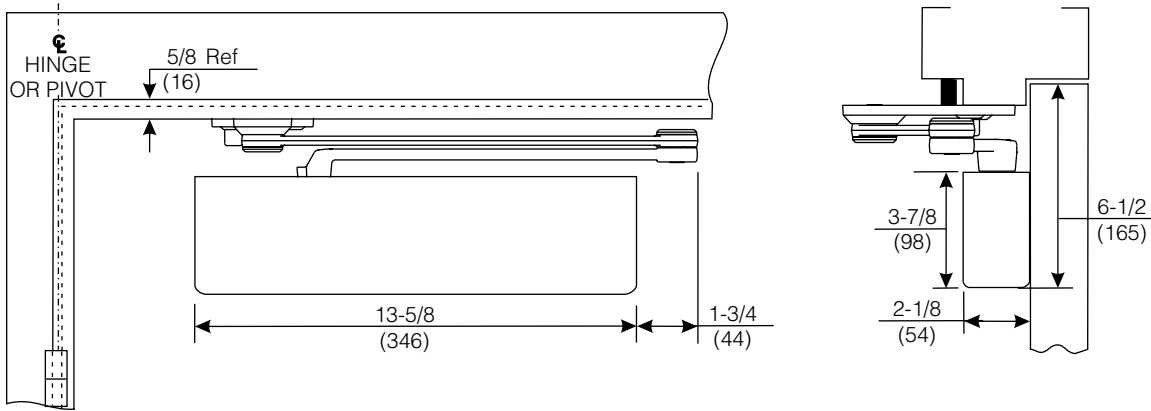
\*Specify handing

^Consult factory if door weight exceeds 250 lbs.





# Holder/Stop Arm



Mounting holes for closer body are spaced 2-3/8" (60mm) vertically x 6-3/4" (171mm) horizontally.

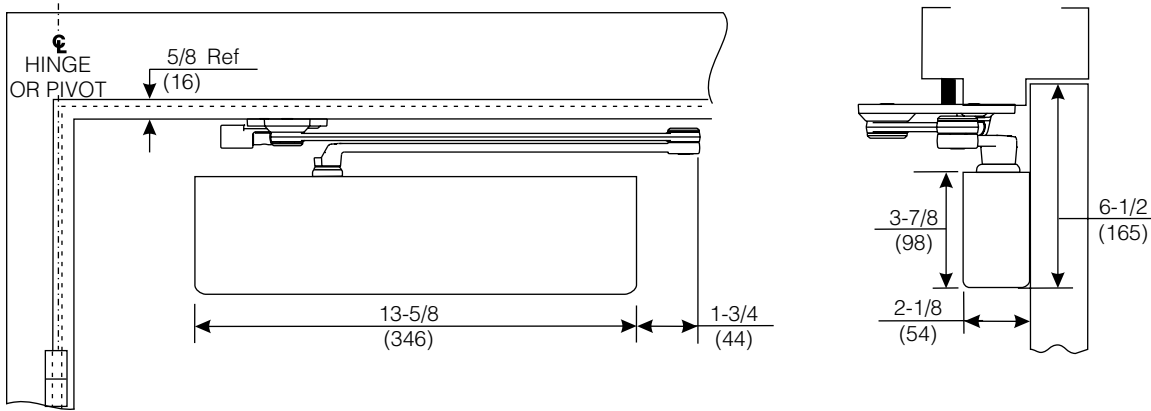
Maximum Door Width Inches (cm)		Model Number	
Interior	Exterior	Non-Hold Open	Thumbturn Hold Open
30" (76)	—		
36" (91)	32" (81)		
42" (107)	36" (91)	4420	4420T
48" (122)	42" (107)		
—	48" (122)		

**Note:** 4400 door closers are set at mid-power range from the factory and can be adjusted for door sizes noted above.

^Consult factory if door weight exceeds 250 lbs.



## Holder/Stop Spring Arm



Mounting holes for closer body are spaced 2-3/8" (60mm) vertically x 6-3/4" (171mm) horizontally.

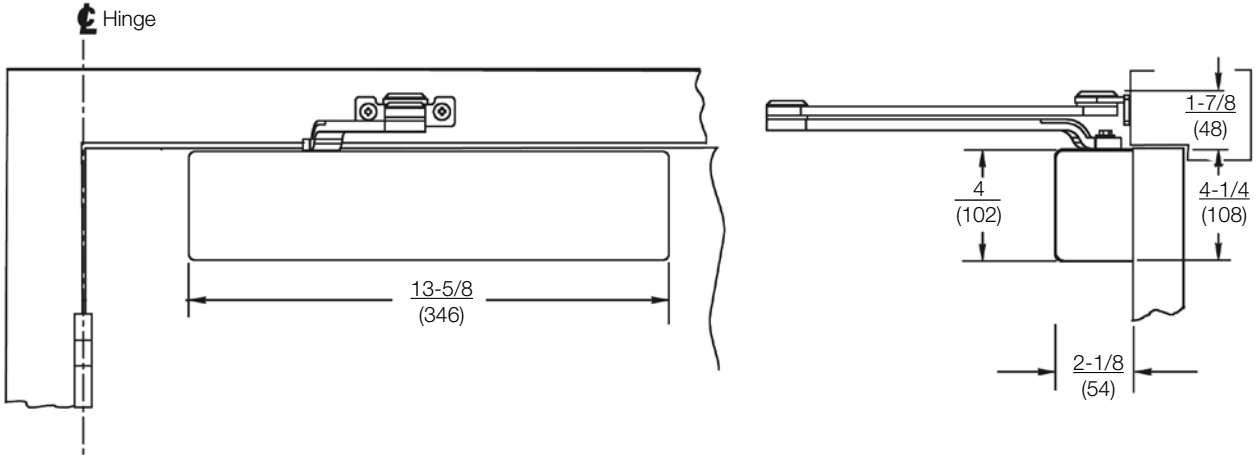
Maximum Door Width Inches (cm)		Model Number	
Interior	Exterior	Non-Hold Open	Thumbturn Hold Open
30" (76)	—	4430	4430T
36" (91)	32" (81)		
42" (107)	36" (91)		
48" (122)	42" (107)		
—	48" (122)		

**Note:** 4400 door closers are set at mid-power range from the factory and can be adjusted for door sizes noted above.

^Consult factory if door weight exceeds 250 lbs.



## Regular Rigid Heavy-Duty Arm



Mounting holes for closer body are spaced 2-3/8" (60mm) vertically x 6-3/4" (171mm) horizontally.

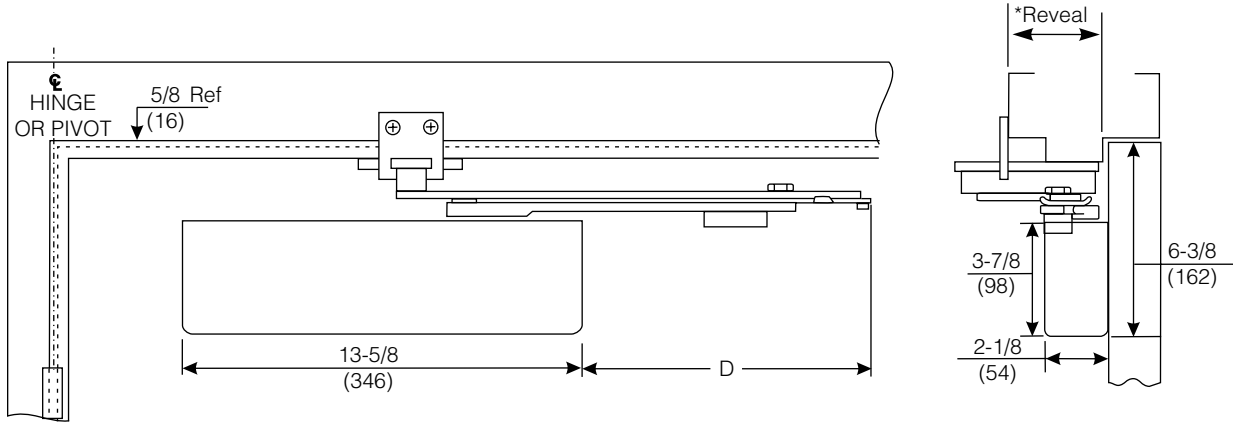
Maximum Door Width Inches (cm)		Model Number
Interior	Exterior	Non-Hold Open
36" (91)	30" (76)	R4400
42" (107)	36" (91)	
46" (122)	42" (107)	
54" (137)	48" (122)	
—	52" (132)	

**Note:** 4400 door closers are set at mid-power range from the factory and can be adjusted for door sizes noted above.

**^Consult factory if door weight exceeds 250 lbs.**



# Uni Stop™ Parallel Arm



Mounting holes for closer body are spaced 2-3/8" (86mm) vertically x 6-3/4" (171mm) horizontally.

**Door width must be specified when ordering.**

\* Reveals 1-7/8" to 4-5/8" (48mm to 117mm) standard, uses 6190 bracket.

Reveals in excess of 4-5/8" (117mm) requires use of 6191 reinforcing kit.

Reveals to 1/8" (3mm) requires use of 589L angle bracket.

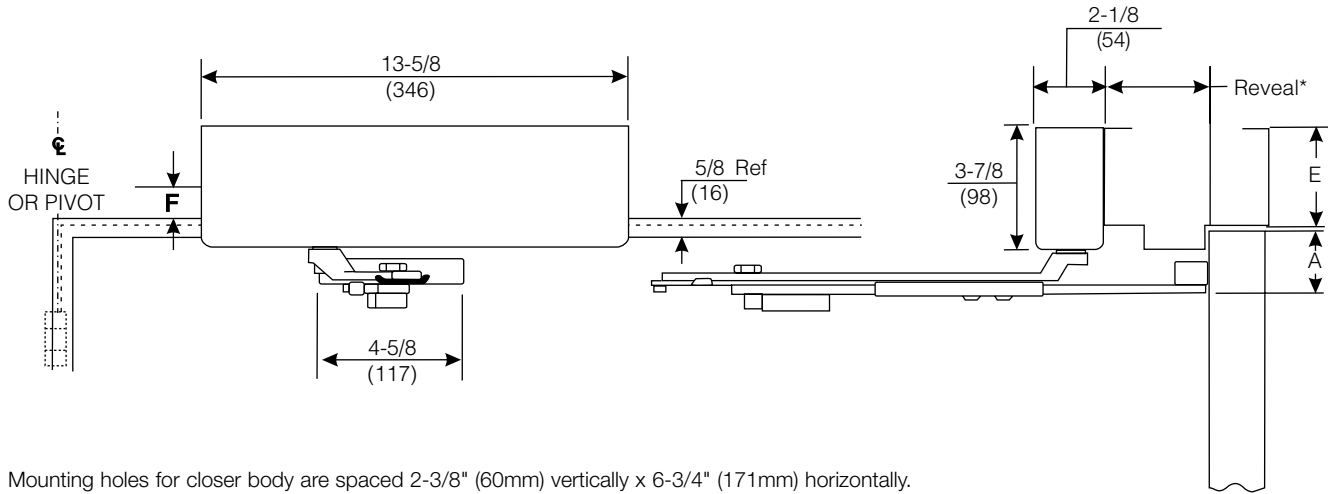
Door Width Inches (cm)	D Arm Extension Beyond Closer	Maximum Door Width Inches (cm)		Model Number		x Specify Door Width
		Interior	Exterior	Non-Hold Open	Hold Open	
28-32" (71-81)	8-5/8" (219)	30" (76)	—	UNI4400	UNI4410	
33-41" (84-104)	10-1/8" (257)	36" (91)	30" (76)			
42-48" (107-122)	11-1/2" (292)	42" (107)	36" (91)			
		48" (122)	42" (107)			
		—	48" (122)			

**Note: 4400 door closers are set at mid-power range from the factory and can be adjusted for door sizes noted above.**

^Consult factory if door weight exceeds 250 lbs.



# Uni Stop™ Top Jamb Arm



Mounting holes for closer body are spaced 2-3/8" (60mm) vertically x 6-3/4" (171mm) horizontally.

\* Reveals up to a maximum of 7-3/8" (187mm).

**Reveal must be specified when ordering**

Backplates	F Minimum Frame Face	E Minimum Ceiling Clearance	A Minimum Top Rail Clearance	Maximum Door Width Inches (cm)		Model Number		x Specify Frame Reveal
				Interior	Exterior	Non-Hold Open	Hold Open	
486 <sup>1</sup>	1-5/8" (41)	3-1/8" (79)	2-1/4" (57)	34" (86)	—	UNIJ4400	UNIJ4410	
				42" (107)	34" (86)			
				48" (122)	42" (107)			
				54" (137)	48" (122)			
487	1-7/8" (48)		3-1/2" (89)	—	54" (137)			

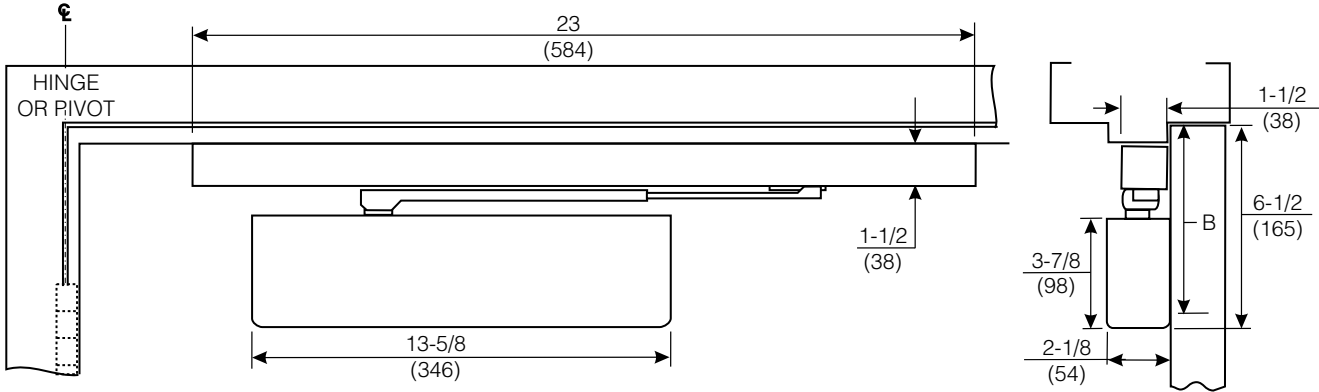
1. 486 backplate supplied standard with closer

**Note:** 4400 door closers are set at mid-power range from the factory and can be adjusted for door sizes noted above.

^Consult factory if door weight exceeds 250 lbs.



# Push Side Slide Track



B Minimum top rail of door with frame stop Inches (mm)	
Without drop plate	With 488 drop plate
6" (152)	2-5/8" (67)

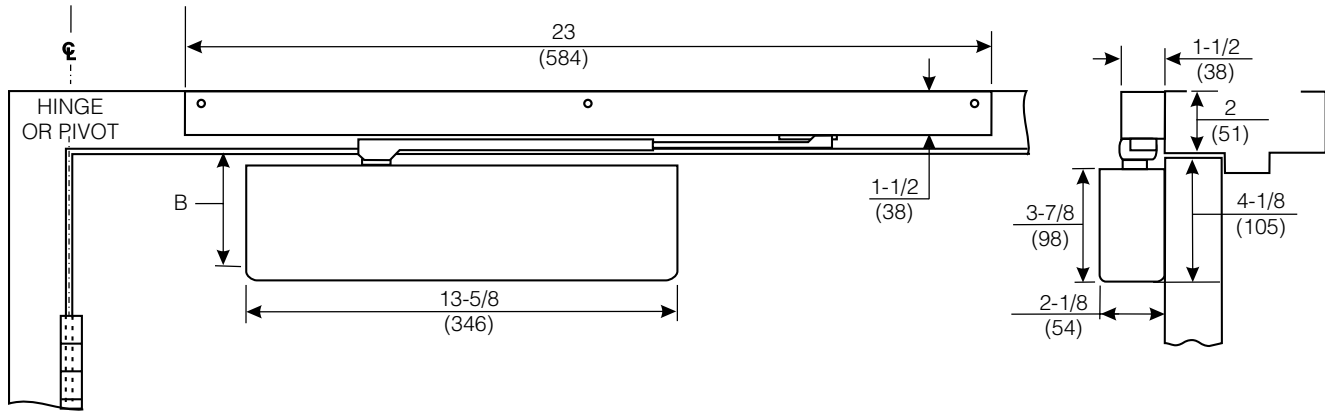
Maximum Door Width Inches (cm)		Model Number	
Interior	Exterior	Non-Hold Open 85°-100°	Hold Open 85°-100°
32" (81)	—	P4400ST	P4410ST
38" (97)	32" (81)		
48" (122)	38" (97)		

**Note:** 4400 door closers are set at mid-power range from the factory and can be adjusted for door sizes noted above.

^Consult factory if door weight exceeds 250 lbs.



# Pull Side Slide Track



Mounting holes for closer body are spaced 2-3/8" (86mm) vertically x 6-3/4" (171mm) horizontally.

B Minimum top rail of door with frame stop Inches (mm)	
Without drop plate	With 488 drop plate
3-1/2" (111)	2-5/8" (67)

Maximum Door Width Inches (cm)		Model Number <sup>1,2</sup>		
		Non-Hold Open		Hold Open 85°-100°
Interior	Exterior	85°-100°	85°-180°	
32" (81)	—			
38" (97)	32" (81)	4400ST	4400ST-180	4410ST
48" (122)	38" (97)			

**Note:** 4400 door closers are set at mid-power range from the factory and can be adjusted for door sizes noted above.

**1-**Units can be mounted with the closer body on the jamb. Prefix the model number with a "TJ". Where the frame face is less than 3-3/8" (86mm) a number 486JP backplate will be required.

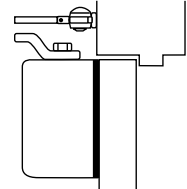
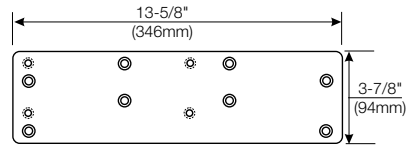
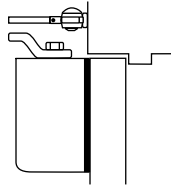
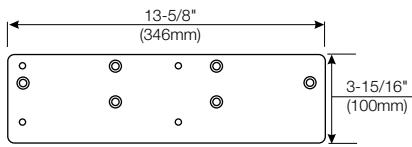
**2 -** Units can also be installed on double egress doors using a handed arm that will accommodate the frame profile. Suffix the model number with "DE". For reveal ranges 1/4" to 3" (6 to 76mm).

**^**Consult factory if door weight exceeds 250 lbs.



# Regular Arm

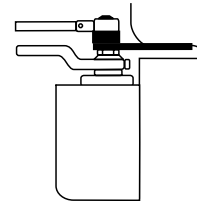
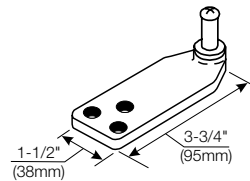
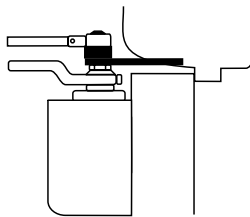
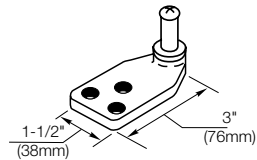
## CLOSER MOUNTING PLATE



**Narrow Frame (Top Rail) - #486 Drop Plate:** For use where the narrow top rail of the door prevents the closer from being mounted directly to the door surface. This drop plate must be used for closer mounted on a top rail between 1-7/8" and 3-3/8" (48 and 86mm) in height.

**Overhead Door Holder - #486OH Drop Plate:** For use when the presence of a surface or concealed overhead door holder prevents normal mounting of closer body due to interference between closer's mounting screws and door holder track. This drop plate's mounting screws are located on the door surface 2-3/8" down from the frame rabbet allowing room for placement of the surface mounted or overhead concealed door stop/holder.

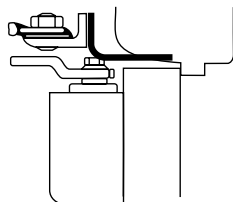
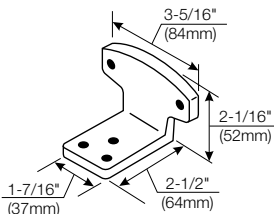
## BRACKETS FOR NON-HOLD OPEN ARMS



**Molded/Bull Nose Trim - #291:** For use where the door frame has molded or bull nose trim which will not accept a standard non-hold open shoe. The bracket is mortised into the frame rabbet, and projects beyond the face of the frame. It will accommodate a frame rabbet up to 2" (51mm) deep.

**Molded/Bull Nose Trim - #291A Bracket:** This bracket is similar to – but longer than – the 291 bracket. It is designed to accommodate frame rabbets from 2" to 2-7/8" (51 to 73mm) deep.

## BRACKETS FOR HOLD OPEN ARMS



**Molded/Bull Nose Trim - #292 Bracket:** For use where the door frame has molded or bull nose trim which will not accept a standard hold open shoe. It is mortised into the frame rabbet, and projects beyond the face of the frame. It will accommodate a rabbet up to 2" (51mm) deep. This bracket is used in combination with the standard hold open mounting shoe.

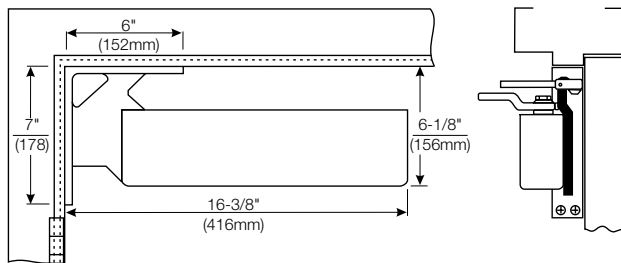




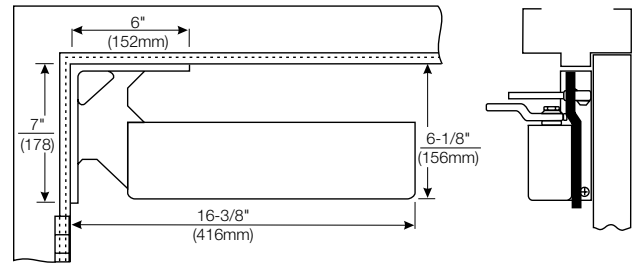
## Regular Arm

### CORNER BRACKETS FOR CLOSER MOUNTING

For closer sizing information use the Parallel Arm Sizing Chart on page 15. The use of a corner bracket requires a door closer of the opposite hand from that of the door when ordering handed closers.



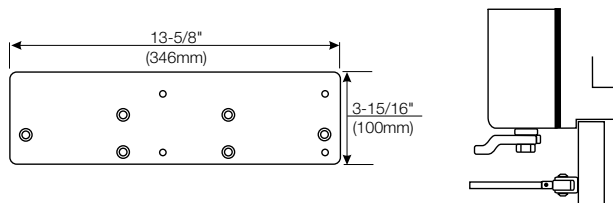
**Mounting Opposite Hinge Side - #498 Standard Drop Corner Bracket:** For use where it is desired to mount a regular arm non-hold open closer.



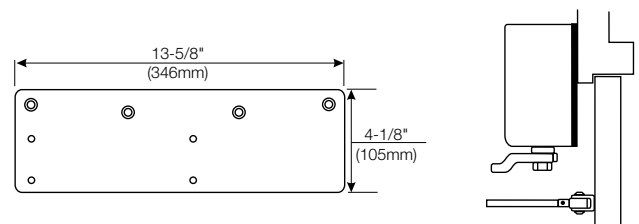
**Extra-Drop Mounting Opposite Hinge Side - #2498 Corner Bracket:** For use where it is desired to mount a regular arm hold open closer, or where it is necessary for a regular arm non-hold open closer to clear a separate overhead door holder. This bracket drops the closer 1-1/8" (29mm) lower than the 498 Corner Bracket.

## Top Jamb

### CLOSER MOUNTING PLATES



**Narrow Frame - #486 Back Plate:** For use where a narrow frame face prevents the closer from being mounted directly to the frame. This back plate must be used for closer mounted on a frame between 1-7/8" and 3-1/8" (48 and 79mm) in height.

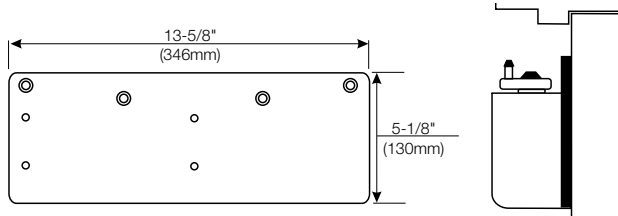


**Low Ceiling Clearance - Overhead Door Holder - #487 Drop Plate:** For use where the ceiling clearance is between 1-7/8" and 3-7/8" (48 and 98mm) or where a surface or concealed overhead door holder prevents normal top jamb mounting. This plate drops the closer and allows the arm mounting screws to clear the bottom of the door holder. This places the centerline of the arm mounting screws at 3-1/8" (79mm) from the top of the door.



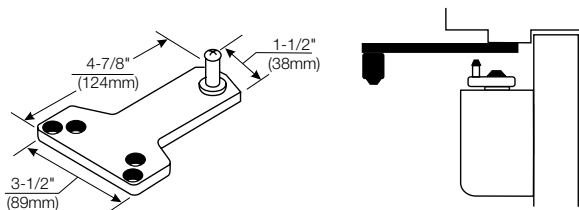
# Parallel Arm

## CLOSER MOUNTING PLATE

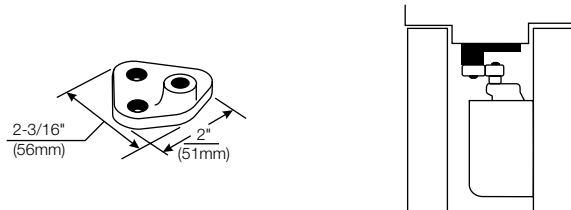


**Narrow Top Rail - #488 Drop Plate:** For use where a narrow top rail prevents the closer from being mounted directly to the door surface. This drop plate can be used to mount a closer on a top rail as narrow as 2-1/2" (64mm) in height.

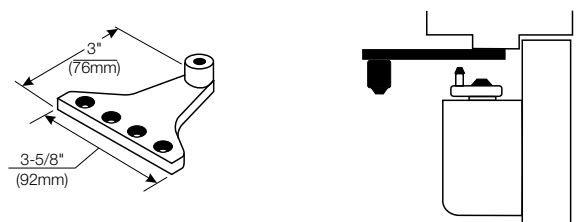
## BRACKETS FOR NON-HOLD OPEN ARMS



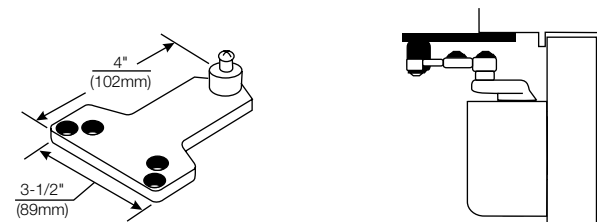
**Standard Installation - #289 Soffit Plate:** This soffit plate is supplied standard with parallel arm closers. It can be mounted where the frame soffit is as narrow as 1" (25 mm).  
**Specify 289A-SS for stainless steel soffit plate.**



**Mounting Between Doors - #413A Soffit Bracket:** For use where insufficient space between companion doors does not permit use of other soffit plates. This bracket permits mounting of the closer between doors with as little as 3" (76mm) of header space. Permits closer arm to clear up to 5/8" (16mm) high stop.



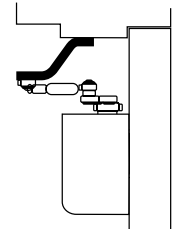
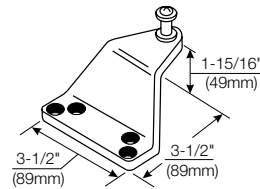
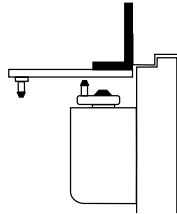
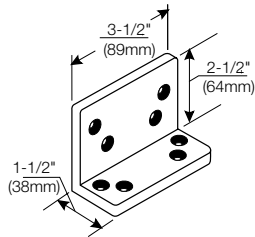
**Narrow Frame/Removable Stop - #297 Soffit Plate:** For use where a narrow frame or frame with removable stop does not permit use of the standard soffit plate. This soffit plate may be mounted on the frame soffit or the frame rabbet where the stop does not exceed 5/8" (16mm) in height. All of the screw holes are in a straight line, requiring as little as 1-1/4" (32mm) of frame reveal to mount bracket and maintain good closer arm geometry. Where the frame soffit is as wide as 2" (51mm), this soffit plate may be used to clear weather-stripping that is up to 1-3/8" (35mm) wide and 5/8" (16mm) in height.



**Blade/Applied Stop - #299 Soffit Plate:** For use where a blade or applied stop does not permit installation of the standard soffit plate. Mounts to either the frame soffit or rabbet. Since this soffit plate projects 7/8" (22mm) less than a standard soffit plate, it requires a minimum frame reveal of 1-1/2" (38mm). Permits closer to clear up to a 5/8" (16mm) stop.

# Parallel Arm

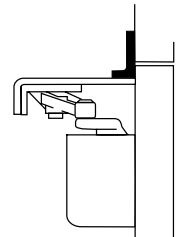
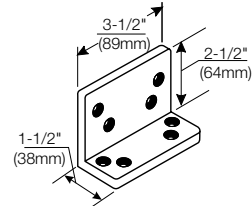
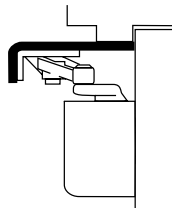
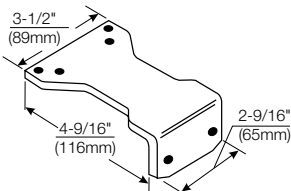
## BRACKETS FOR NON-HOLD OPEN ARMS (CONTINUED)



**Flush Transom - #589L Angle Bracket:** For use where rabbeted or flush transom conditions prevent installation of a soffit plate. Used in combination with the 289 soffit plate, or may be used in combination with the 290 soffit plate when it is necessary for the closer arm to clear a separate overhead door holder.

**Extra-Clearance - #290 Offset Soffit Plate:** For use where the need for additional clearance prevents use of the standard soffit plate. This plate mounts to the frame soffit to provide up to 2" (51mm) of clearance when a separate overhead door holder is used. Standard mounting requires a 2-5/8" (67mm) wide frame soffit. It may also be used where unusually high frame stops or weather-stripping prevent the use of other soffit plates.

## BRACKETS FOR HOLD OPEN ARMS



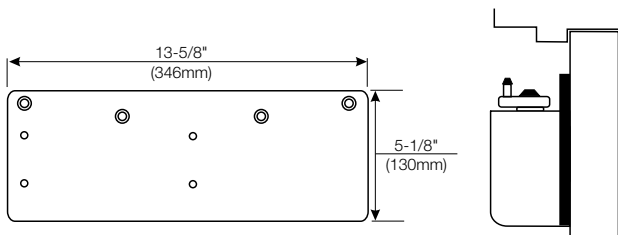
**Parallel Hold Open - #588 Adapter Plate:** This adapter plate is supplied standard with all parallel arm hold open closers. It can also be used to convert regular arm or top jamb hold open arms to parallel arm installation. It can be mounted where the frame soffit is as narrow as 1" (25mm).

**Flush Transom Hold Open - #589L Angle Bracket:** For use where rabbeted or flush transom conditions prevent installation of the standard 588 hold open adapter plate. It is used in combination with the 588 adapter plate.



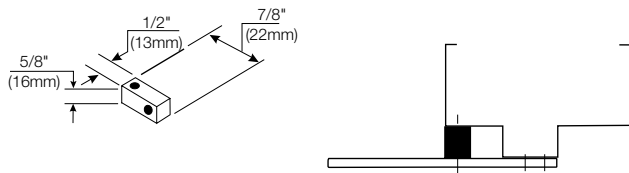
# Parallel Rigid Arm

## CLOSER MOUNTING PLATE

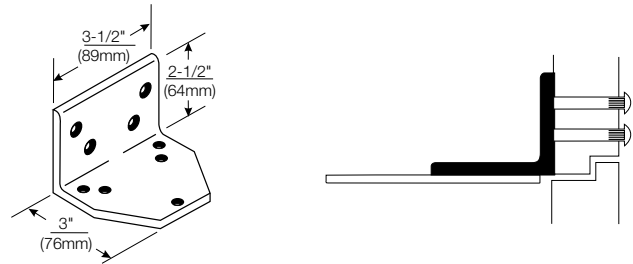


**Narrow Top Rail - #488 Drop Plate:** For use where a narrow top rail prevents the closer from being mounted directly to the door surface. This drop plate can be used to mount a closer on a top rail as narrow as 2-1/2" (64mm) in height.

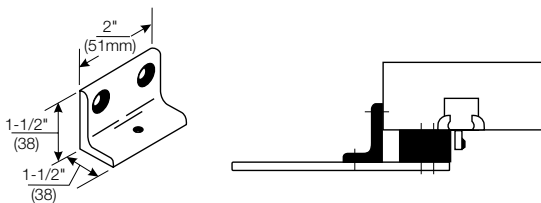
## BRACKETS FOR NON-HOLD OPEN ARMS & HOLD OPEN ARMS



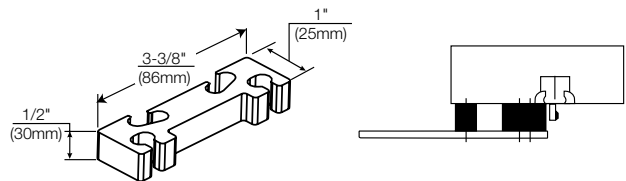
**Standard - #293S Spacer Block:** For use where a narrow frame soffit does not provide adequate support for the soffit plate. Supplied as standard with all parallel rigid arm closers.



**Flush Rabbeted Transom - #293L Angle Bracket:** For use where flush transom conditions prevent mounting of the standard soffit plate. This bracket is used in combination with the standard soffit plate.



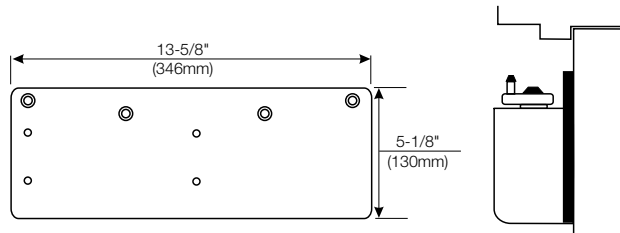
**Narrow Frame - #890 Support Bracket:** For use where the frame is narrow, and the soffit plate cannot be mounted directly to the frame soffit or rabbet. Used in combination with the #891 spacer block on blade stop frames to provide extra support and needed clearance of the blade stop.



**Clearance/Support Blade Stop - #891 Spacer Block:** For use where the door frame has a blade stop and the soffit plate must be mounted on the frame rabbet. This accessory is used in combination with the standard spacer block to provide clearance of the blade stop.

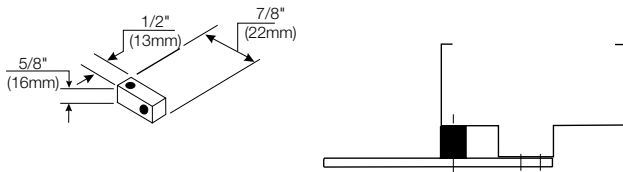
# Parallel Rigid Arm

## CLOSER MOUNTING PLATE

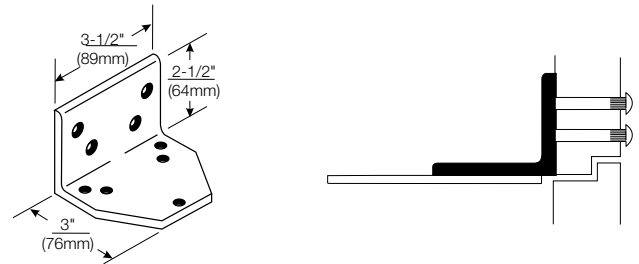


**Narrow Top Rail - #488 Drop Plate:** For use where a narrow top rail prevents the closer from being mounted directly to the door surface. This drop plate can be used to mount a closer on a top rail as narrow as 2-1/2" (64mm) in height.

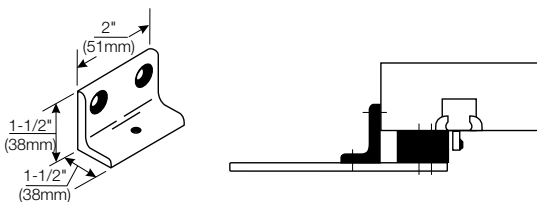
## BRACKETS FOR NON-HOLD OPEN ARMS & HOLD OPEN ARMS



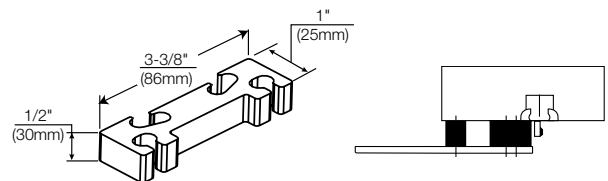
**Standard - #293S Spacer Block:** For use where a narrow frame soffit does not provide adequate support for the soffit plate.



**Flush Rabbeted Transom - #293L Angle Bracket:** For use where flush transom conditions prevent mounting of the standard soffit plate. This bracket is used in combination with the standard soffit plate.



**Narrow Frame - #890 Support Bracket:** For use where the frame is narrow, and the soffit plate cannot be mounted directly to the frame soffit or rabbet. Used in combination with the #891 spacer block on blade stop frames to provide extra support and needed clearance of the blade stop.



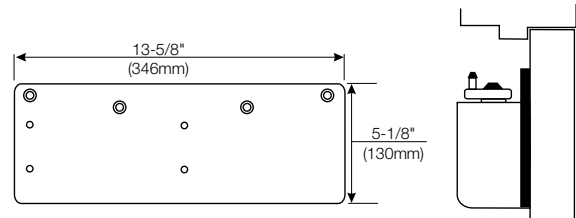
**Clearance/Support Blade Stop - #891 Spacer Block:** For use where the door frame has a blade stop and the soffit plate must be mounted on the frame rabbet. This accessory is used in combination with the standard spacer block to provide clearance of the blade stop.



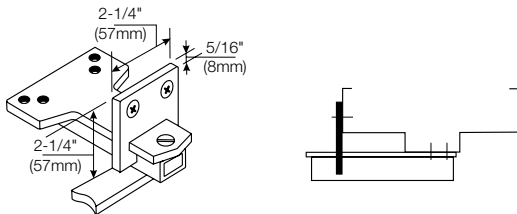
# Uni Stop™ Arm

## CLOSER MOUNTING PLATE (FOR PARALLEL ARM)

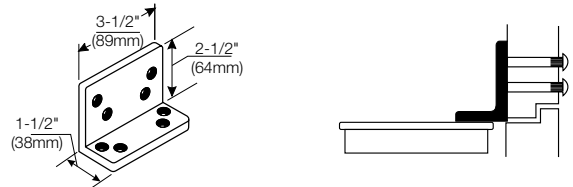
**Narrow Top Rail - #488 Drop Plate:** For use where a narrow top rail prevents the closer from being mounted directly to the door surface. This drop plate can be used to mount a closer on a top rail as narrow as 2-3/8" (60mm) in height.



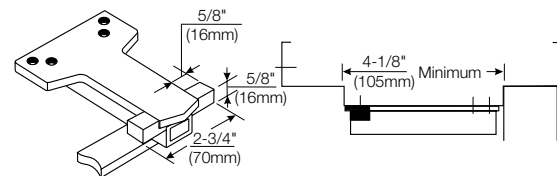
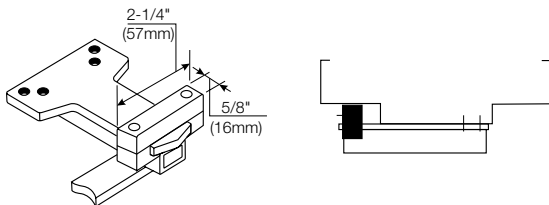
## SOFFIT PLATE REINFORCING BRACKETS (FOR PARALLEL ARM)



**Additional Support - #6190 Reinforcing Bracket:** Standard for use with all Parallel Arm *UNI Stop* Door Controls. Provides additional support to the soffit plate on installations with door frame reveals from 1-7/8" to 4-5/8" (48 to 117mm).

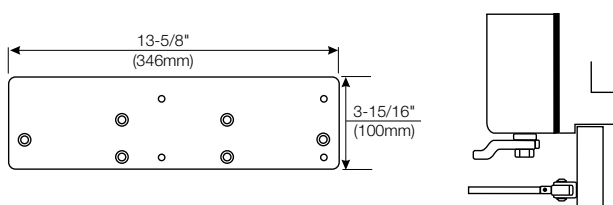


**Flush Rabbeted Transom - #589L Angle Bracket:** Optional for use with all Parallel Arm *UNI Stop* Door Controls. For use where rabbeted or flush transom conditions prevent installation of the soffit plate assembly. This bracket fastens to the overhead transom to provide a mounting surface for the soffit plate assembly.

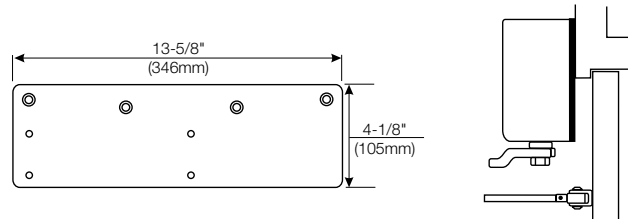


**Wide Frame - #6191 Reinforcing Kit:** Optional for use with all Parallel Arm *UNI Stop* Door Controls. Used to support the soffit plate on installations with wide frames. Clamps may be used with or without the spacer block, depending on frame conditions.

## CLOSER MOUNTING PLATES (FOR TOP JAMB)



**Standard Installation - #486 Back Plate:** Can be mounted where a frame face is as narrow as 1-5/8" (41mm) in height.

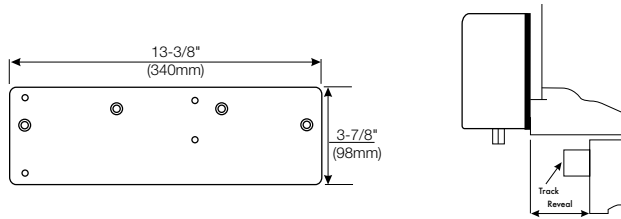


**Minimum Ceiling Clearance - #487 Drop Plate:** For use where the ceiling clearance is as little as 1-7/8" (48mm).



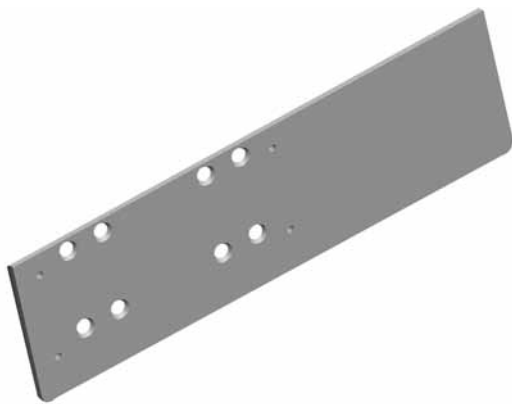
# Slide Track

## CLOSER MOUNTING PLATE



**Slide Track - #486JP Back Plate:** Required for frames with standard 2" (51mm) profile face. Without plate, minimum 4" (102mm) face frame required.

# Retrofit Plates



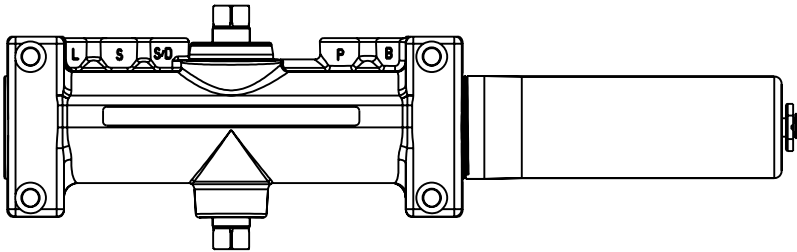
Model Number	Replaces
RP44-4040	LCN-4040
RP44-4010	LCN-4010

The retrofit plates allow a 4400 Institutional Door Closer to replace 4040 or 4010 closer without modifying the existing hole pattern in the door. The plates will work with regular and parallel arm applications.

**Note: The location of the arm shoe on the frame will change, therefore the frame must be patched.**



## Door Closer Body Assemblies



Closer Series	Closer Covers (Material)	Model Number	Dimensions Inches (mm)
4400 TJ4400	Plastic	400P	13-3/4" (349) x 4" (102) x 2-1/8" (54)
4400	Metal	400M	13-5/8" (346) x 3-7/8" (98) x 2-3/16" (56)
TJ4400	Metal	TJ400M x Hand	

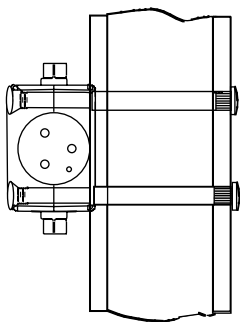
Model Number	Description
4400LAP	Multi Size Closer Body
4400SLAP	Corrosion Resistant Body

LAP = Less All Parts

## SPECIALTY FASTENERS

### STEEL DOOR APPLICATION

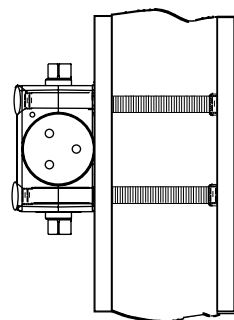
Sex Nut/Sleeve Nut & Screw:  
"SNB" (4 per pack)



Door Thickness	SN's	SNB's
1-3/4"	SN-134	SNB134-47
2"	N/A	SNB200-47
2-1/4"	SN-214	SNB214-47
S.S. SNB'S 1-3/4" (Stainless Steel)	SN-134SS	SNB134SS-47

### ALUMINUM AND WOOD DOOR APPLICATION (ALUMINUM DOOR SHOWN)

Sex Nut/Sleeve Nut: "SN"  
(4 per pack)



Thru-Bolt & Grommet Nut:  
"TBGN" (4 per pack)

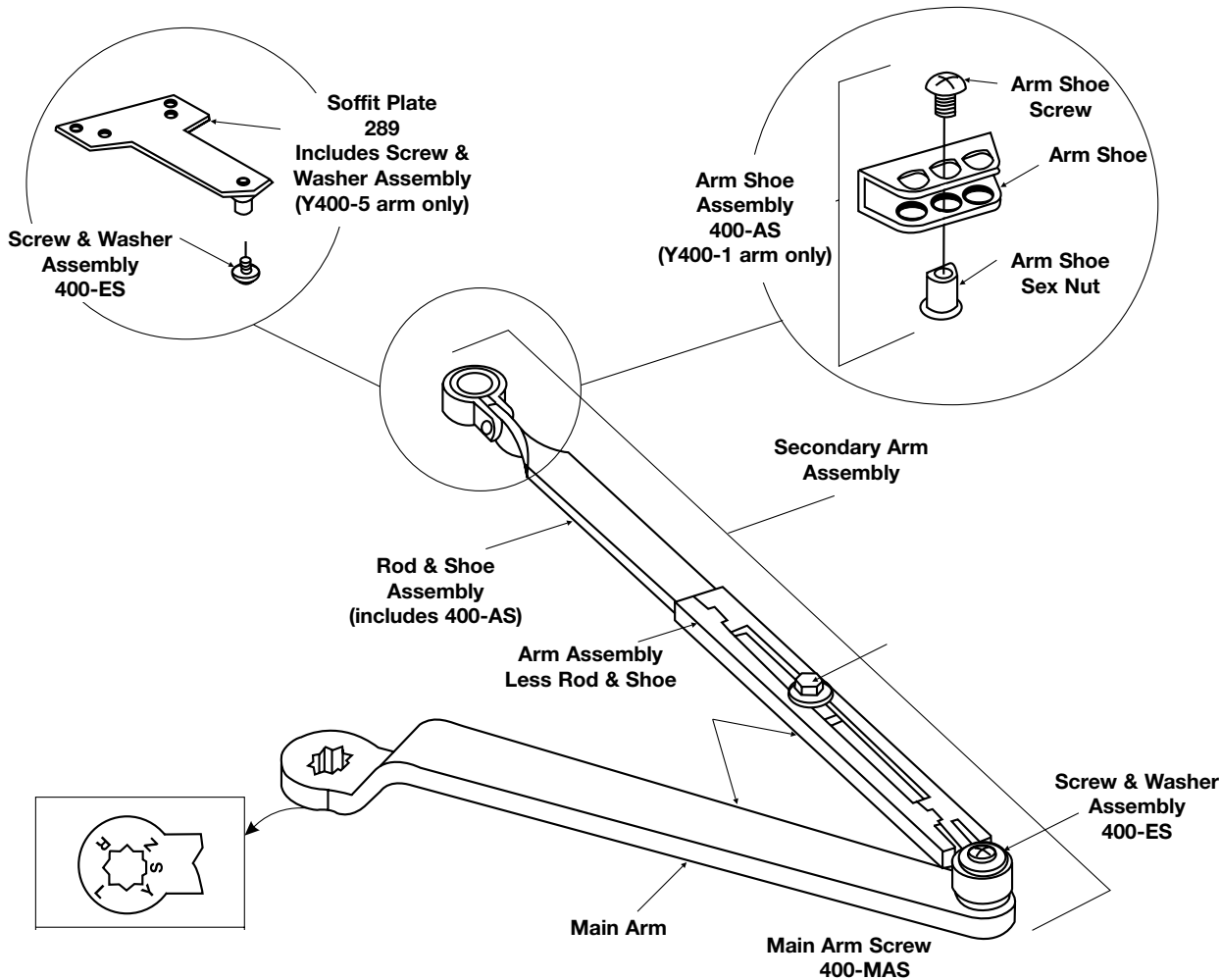
Door Thickness	TBGN's
1-3/8"	TBGN138-47
1-3/4"	TBGN134-47

### Torx® Screw Packs

Arm Type	400/4400 Series
Regular, Parallel and Top Jamb	TX47
Parallel Rigid, Holder/Stop, Holder/Stop Spring	PRTX47
Regular Rigid Heavy-Duty Arm	RTX47
UNI Stop™ Arm	UNITX47



# Non-Hold Open Arm Assemblies



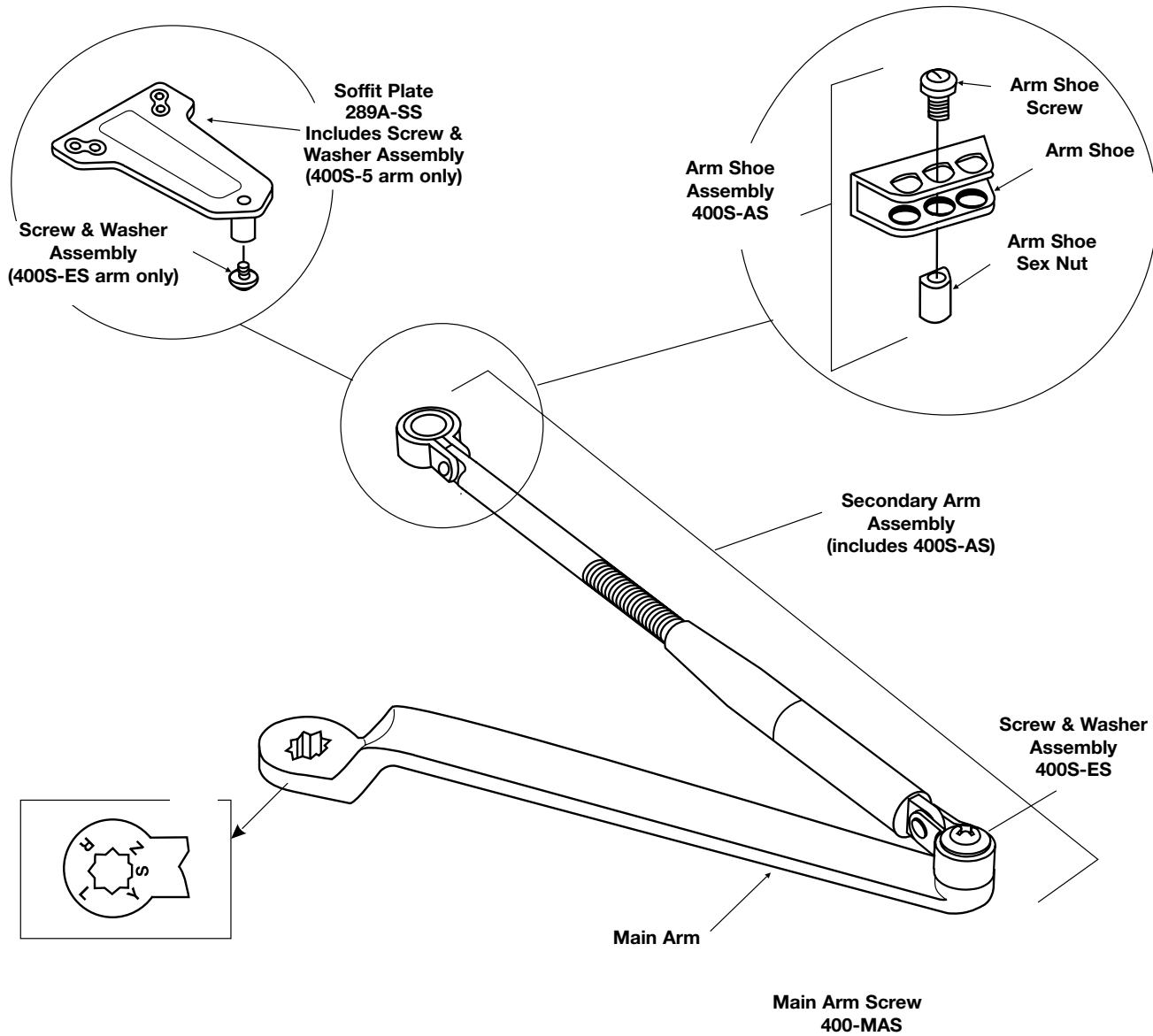
Closer Series	Complete Arm Assembly	Main Arm Assembly <sup>1</sup> (includes 400-ES) Inches (mm)	Secondary Arm Assembly (includes 400-ES)	Arm Assembly Less Rod and Shoe	Rod & Shoe Assembly <sup>2</sup> Inches (mm)
4400	Y400-1	400-1M (11)(279)	Y400-111	Y400-1W	Y400-11 (8-7/8)(225)
TJ4400	Y400-1A		Y400-121		Y400-11A (12-9/16)(319)
TJL4400	Y400-1B	400-2M (13-1/2)(343)	Y400-131	Y400-2W	Y400-11B (15-3/16)(386)
PA4400	Y400-5	400-1M (11)(279)	Y400-115	Y400-1W	Y400-15 (8-7/8)(225)
PA4400 <sup>3</sup>	Y400-5A		Y400-115A		Y400-15A (12-9/16)(319)
4400	Y400-25 (tri pack includes Y400-1 plus 289 plate)				

1. C to C length shown in parentheses.  
 2. C of connecting link to end of rod shown in parentheses.  
 3. For 180° door swing when using a special template for doors hung on 6" to 8" (152mm to 203mm) wide throw hinges.

**Note:** Mounting hardware included with all parts orders.



# Stainless Steel Arm Assemblies

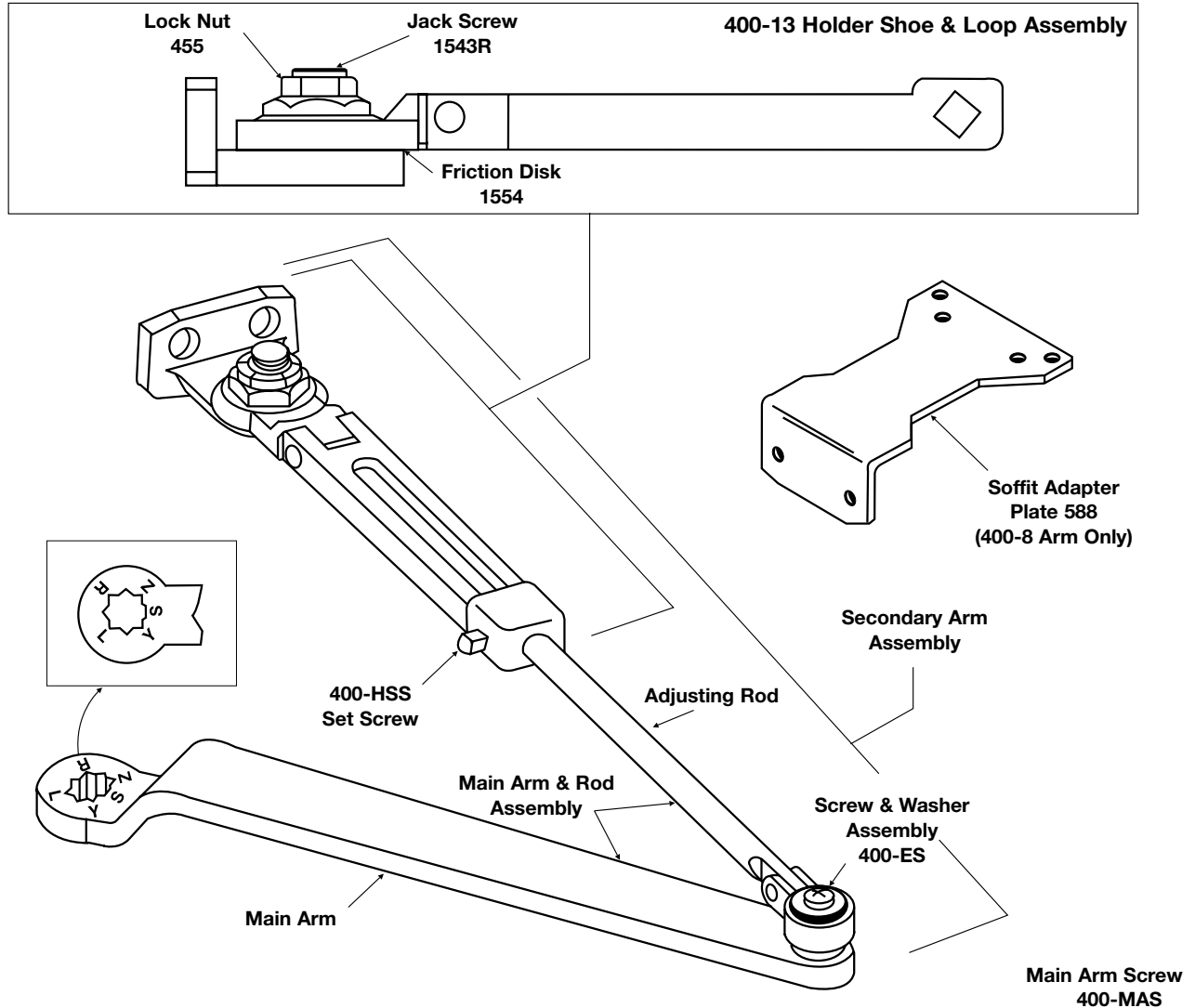


Closer Series	Complete Arm Assembly	Main Arm Assembly <sup>1</sup> (length)(mm) (includes 400S-ES)	Secondary Arm Assembly (includes 400S-ES)
4400S	400S-1		400S-111
TJ4400S	400S-1A	400S-1M (11)(279)	400S-121
PA4400S	400S-5		400S-115

Note: Mounting hardware included with all parts orders.

1. C to C length shown in parentheses.

# Hold Open Arm Assemblies

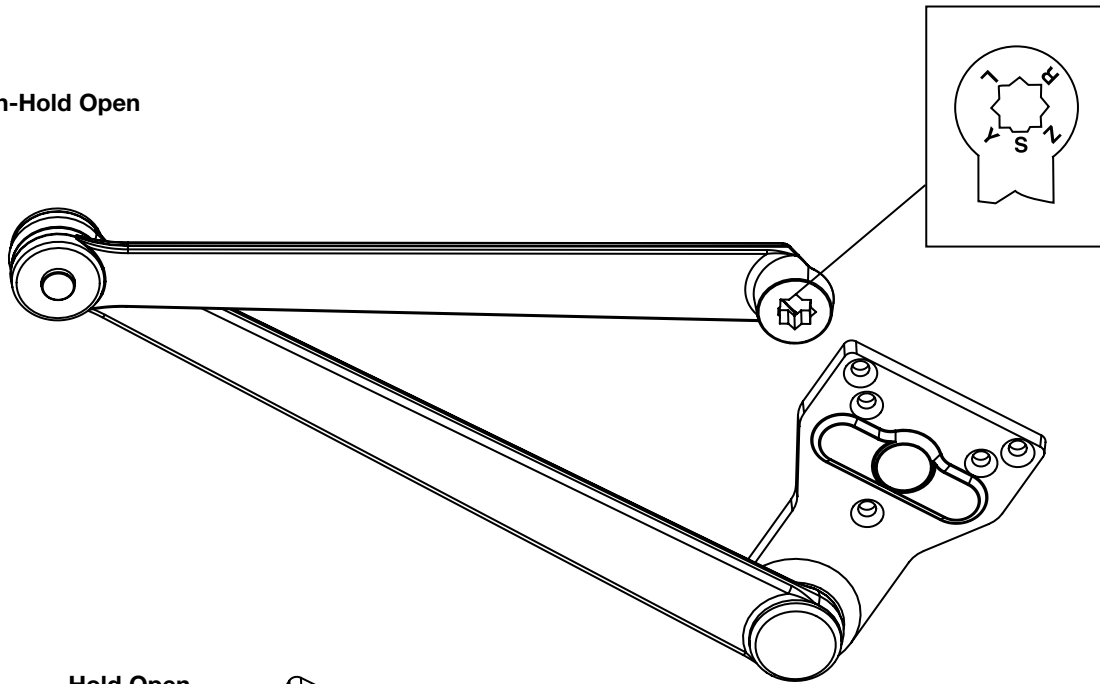


Closer Series	Complete Arm Assembly	Main Arm <sup>1</sup> (Length)(mm) (includes 400-ES)	Secondary Arm (includes 400-ES)	Main Arm & Rod Assembly	Holder Shoe & Loop Assembly	Adjusting Rod <sup>2</sup> (Length)(mm)
4410	400-3/400-8 <sup>3</sup>	400-1M (11)(279)	400-113/400-118 (Reg.) / (Par.)	400-3W		400-31 (7-3/8)(187)
TJ4410	400-3A		400-123	400-3WA	400-13	400-31A (10-13/16)(275)
TJL4410	400-3B	400-2M (13 -1/2)(343)	400-133	400-3WB		400-31B (12-7/8)(327)

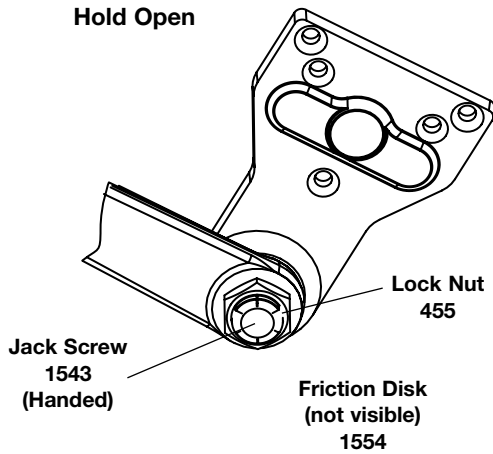
**Note: Mounting hardware included with all parts orders.** 1. C to C length shown in parentheses. 2. C of connecting of connecting link to end of rod shown in parentheses. 3. Same as 400-3 but includes #588 soffit adapter plate.

# Parallel Rigid Arm Assemblies

## Non-Hold Open



## Hold Open



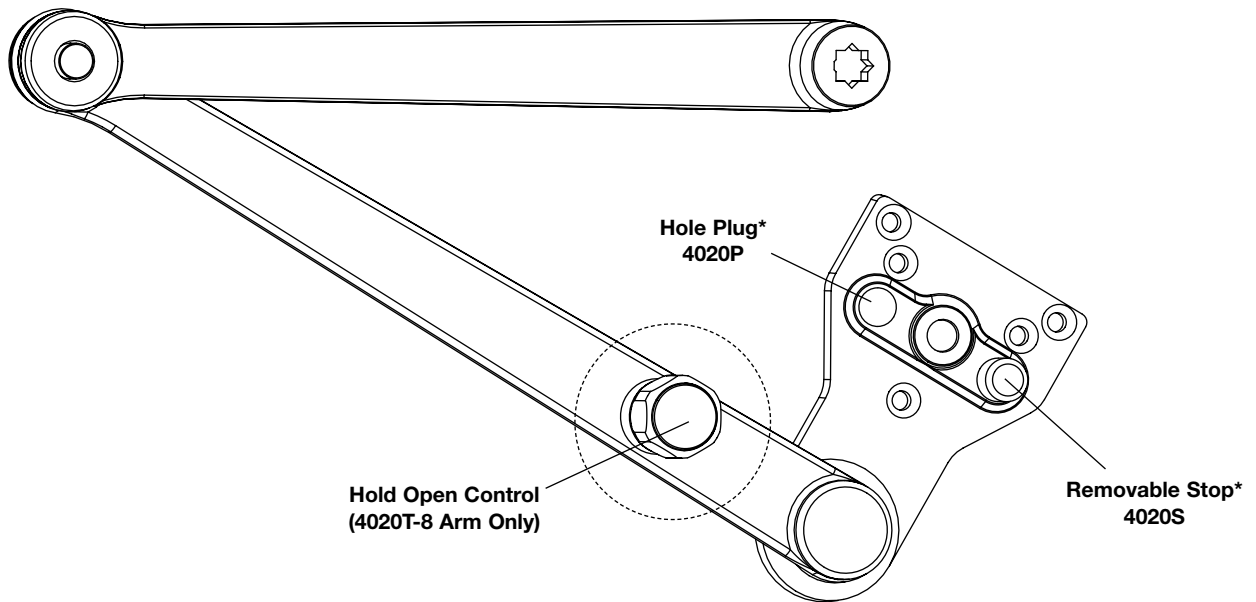
Arm Function	Complete Arm Assembly	Jack Screw
Non-Hold Open	PR400-5	N/A
Hold Open	PR400-8R (Right Hand)	1543R
	PR400-8L (Left Hand)	1543L

**Note: Mounting hardware included with all parts orders.**



## Holder Stop Arm Assemblies

### Hold Open Arm Shown



Arm Function	Complete Arm Package
Non-Hold Open	4020-5
Thumbturn Hold Open	4020T-8

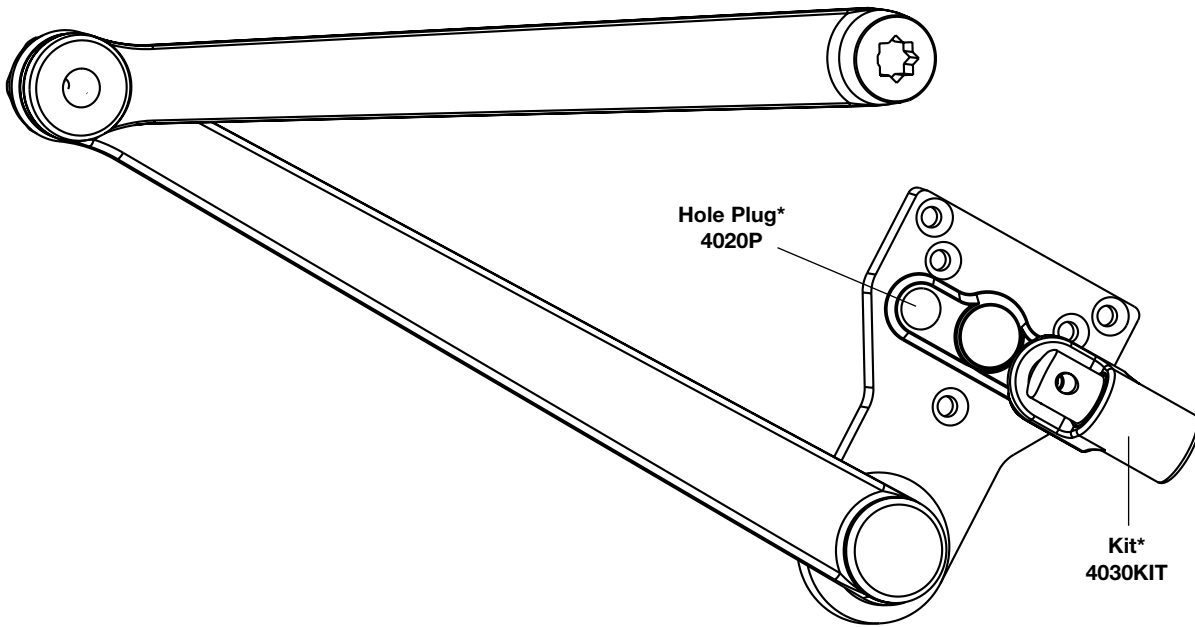
**Note: Mounting hardware included with all parts orders.**

**\* These parts and screw pack are included with complete arm assemblies**



## Holder/Stop Arm Assemblies

### Non-Hold Open Arm Shown



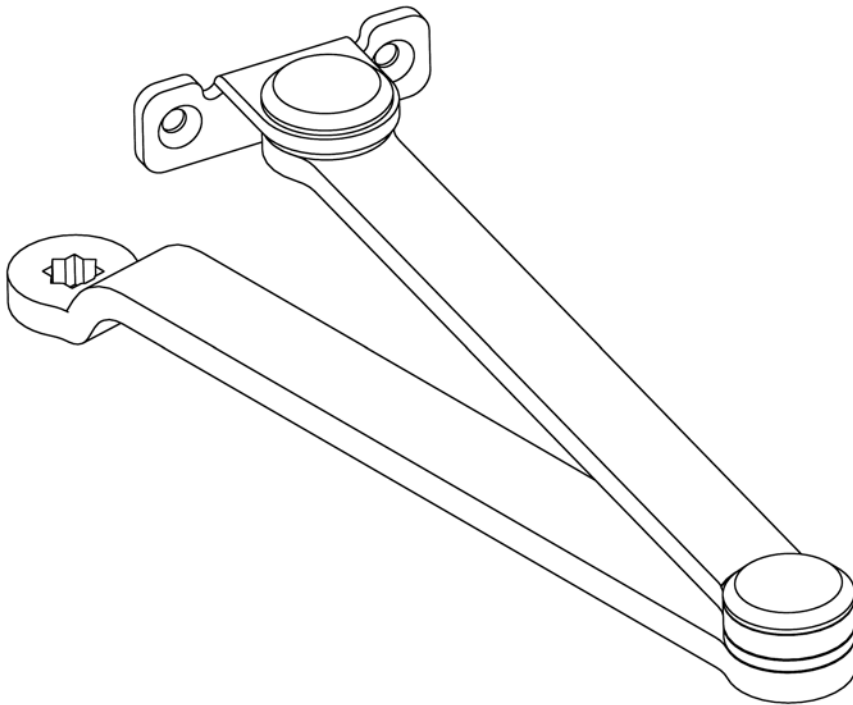
Arm Function	Complete Arm Package
Non-Hold Open	4030-5
Thumbturn Hold Open	4030T-8

**Note:** Mounting hardware included with all parts orders.

\* These parts and screw pack are included with complete arm assemblies



## Regular Rigid Heavy-Duty Arm Assemblies



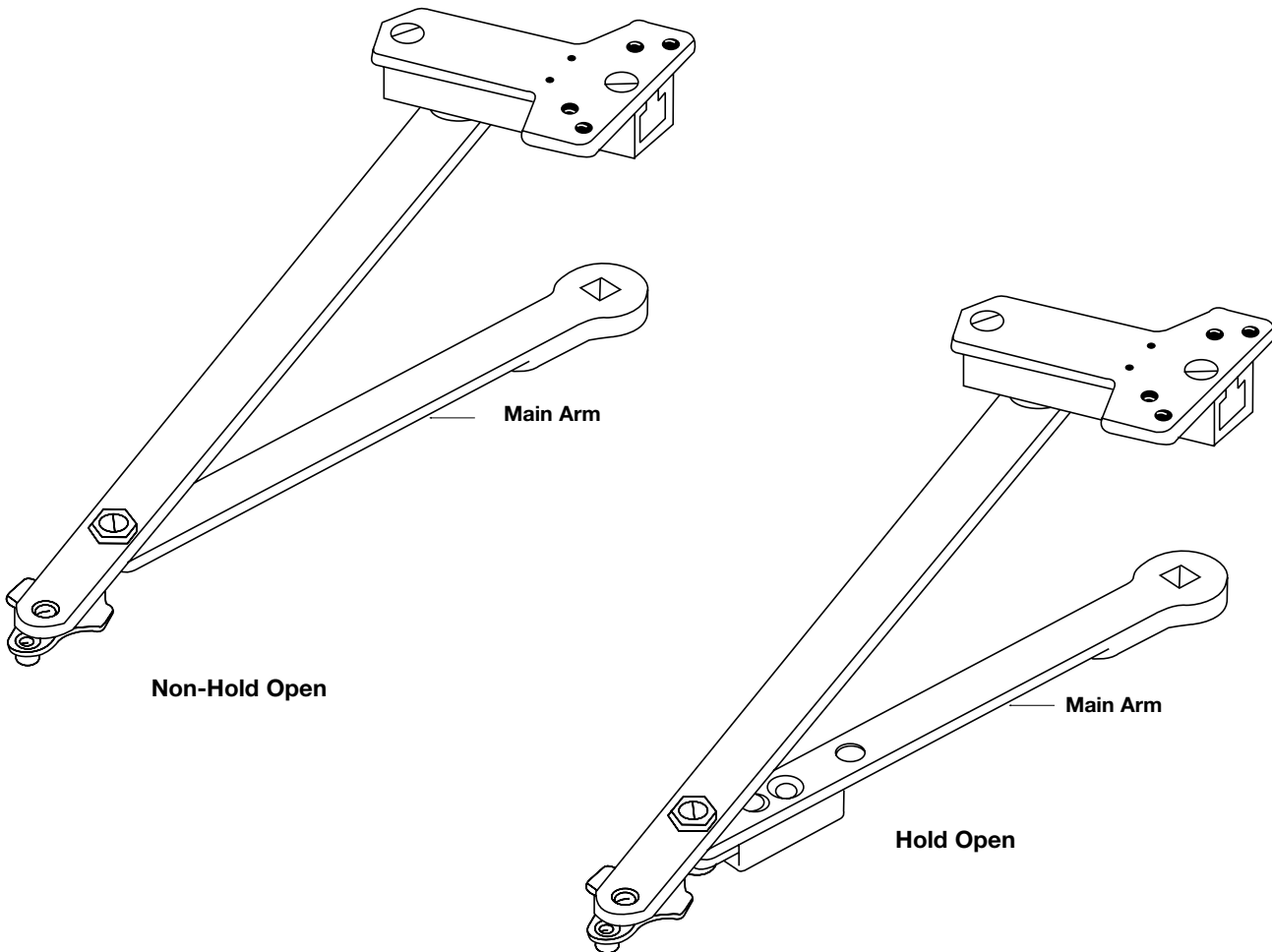
Closer Series	Arm Function	Complete Arm Package
R4400	Non-Hold Open	R400-1

**Note: Mounting hardware included with all parts orders.**



# Uni Stop™ Arm Assemblies

## PARALLEL APPLICATIONS



Complete Arm Assembly		Door Width (cm)	Main Arm Length* (mm)
Non-Hold Open	Hold Open		
6100-11	6100-1	28" - 32" (71 - 81)	9-1/2" (241)
6100-13	6100-3	33" - 41" (84 - 104)	11" (279)
6100-14	6100-4	42" - 48" (107 - 122)	12-1/2" (318)

\* Center to center length.

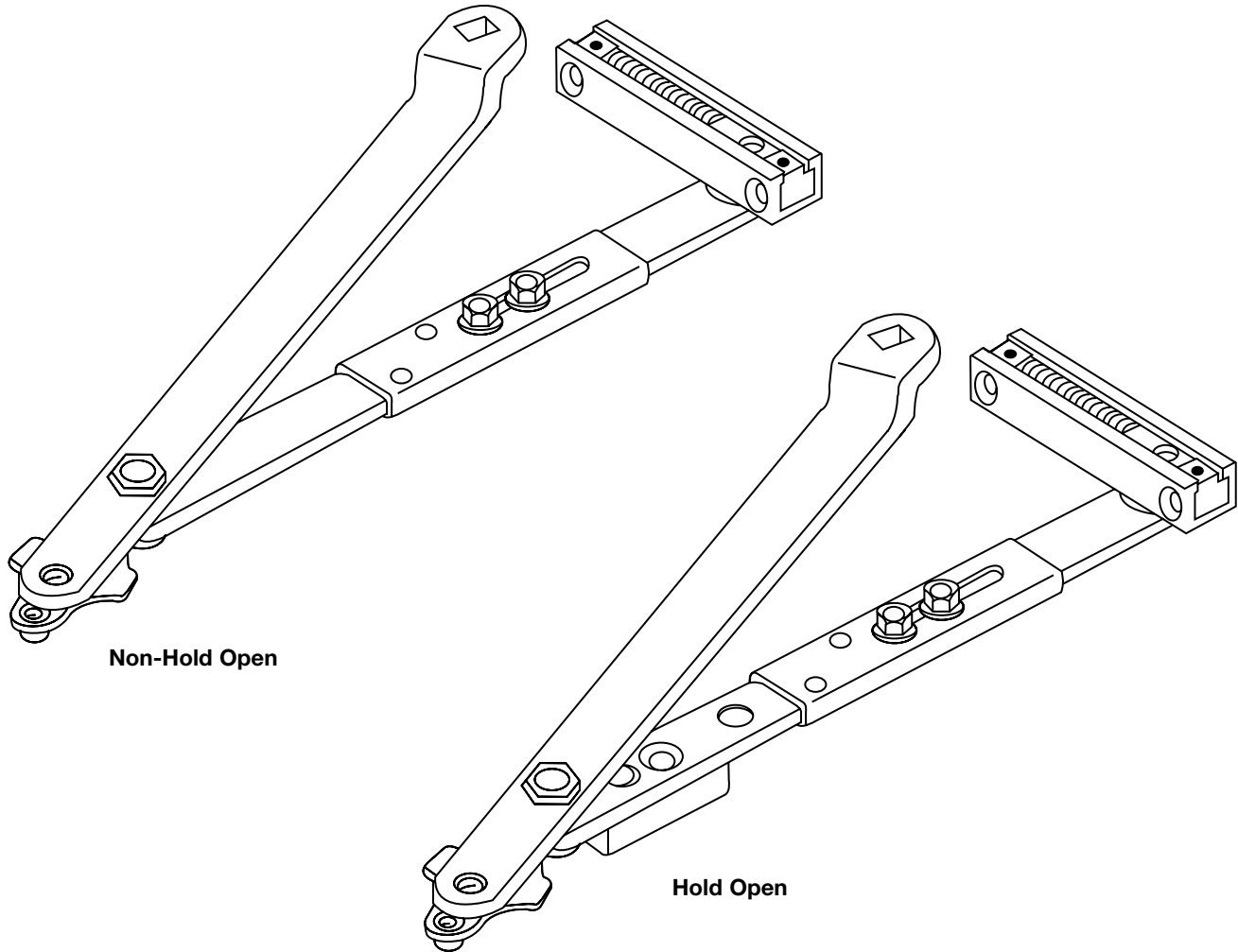
**Note: Mounting hardware included with all parts orders.**





# Uni Stop™ Arm Assemblies

## TOP JAMB APPLICATIONS

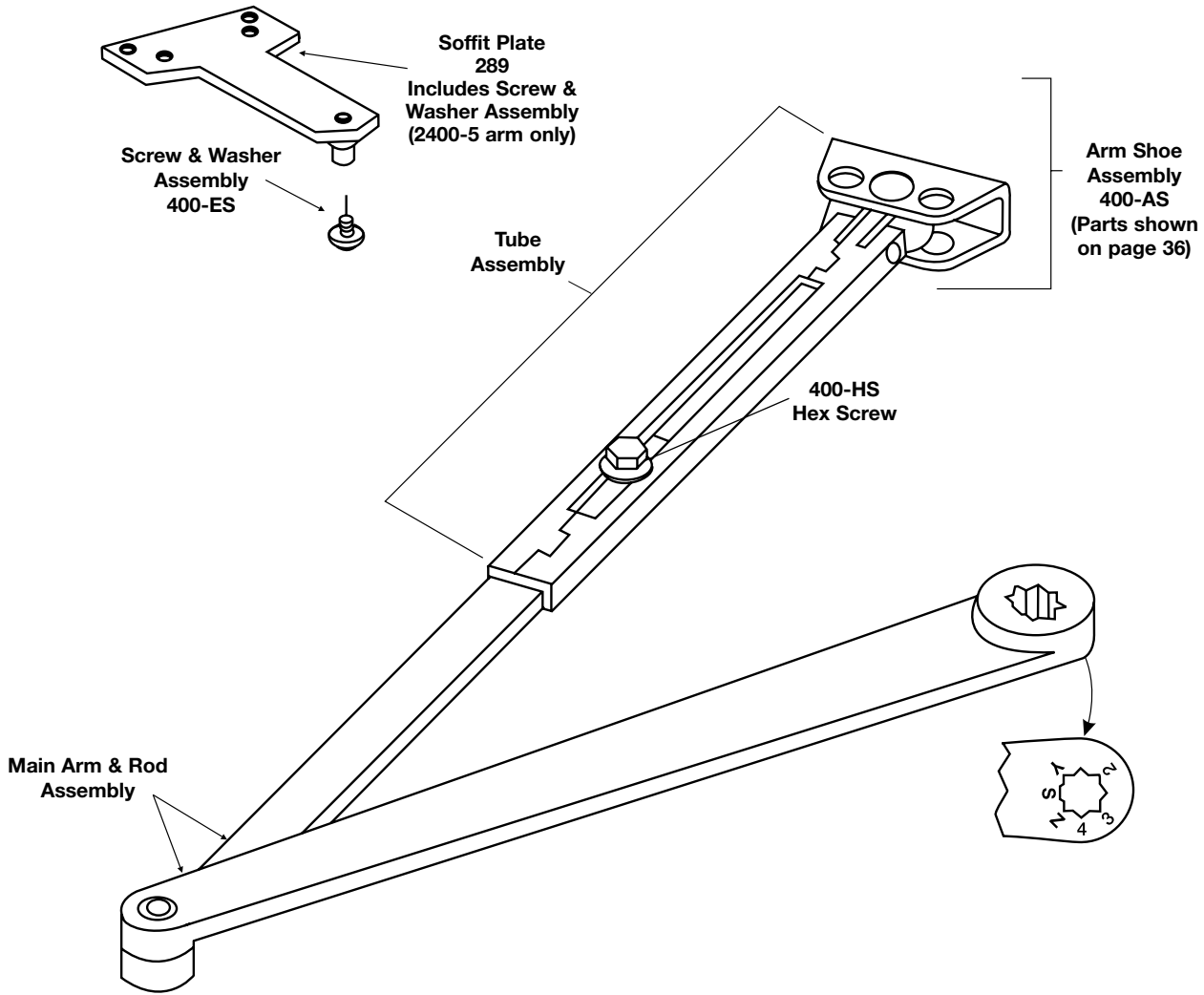


Complete Arm Assembly		For Frame Reveals (mm)
Non-Hold Open	Hold Open	
J6100-4	J6100-7	2-1/8" - 3-1/4" (54 - 83)
J6200-4	J6200-7	1/2" - 2" (13 - 51)
J6400-4	J6400-7	3-3/8" - 4-1/4" (86 - 108)
J6500-41	J6500-71	4-3/8" - 5-3/8" (111 - 137)
J6500-42	J6500-72	5-1/2" - 6-3/8" (140 - 162)
J6500-43	J6500-73	6-1/2" - 7-3/8" (165 - 187)
J6600-4	J6600-7	0" - 3/8" (0 - 10)

**Note: Mounting hardware included with all parts orders.**



# Low Profile Arm Assemblies



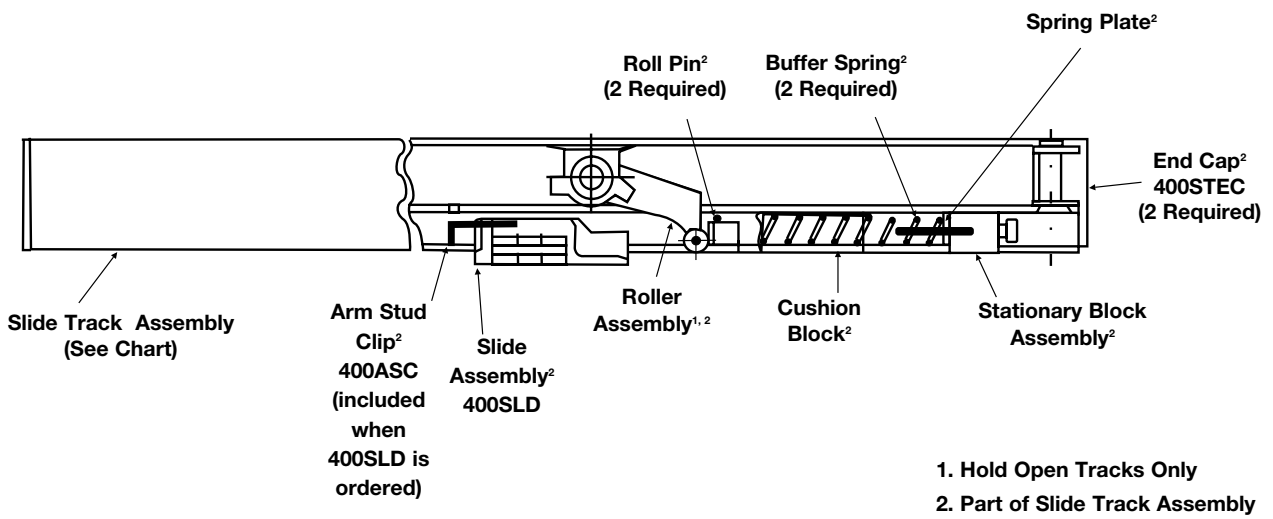
Arm Application	Complete Arm Assembly	Main Arm & Adjusting Rod Assembly	Tube & Shoe/Soffit Assembly
Regular Arm	2400-1	2400-1MR	2400-1TS (With 400-AS)
Parallel Arm	2400-5		2400-5TS (With 289)
Tri-pack	2400-25		

**Note:** Mounting hardware included with all parts orders.



# Track Assemblies 4400ST & STP

Track Assemblies	Part Number	
	Non-Hold Open	Hold Open
Pull side mounted	400ST-1T	400ST-3T
Push side mounted	400ST-5T	400ST-8T
Pull side mounted (180°)	400ST-1T180	N/A



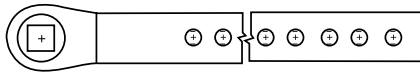
**Note: Mounting hardware included with all parts orders.**



# Track Assemblies 4400ST & STP

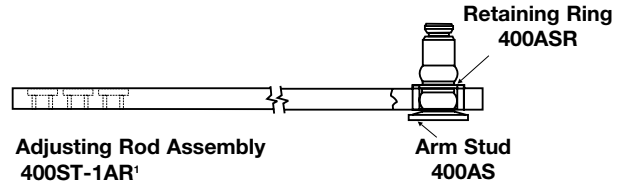
## STANDARD ARM ASSEMBLY

### Arm tube assembly



Arm Tube Assembly  
400ST-1AT<sup>1</sup>

### 400ST-1A<sup>1,2</sup>

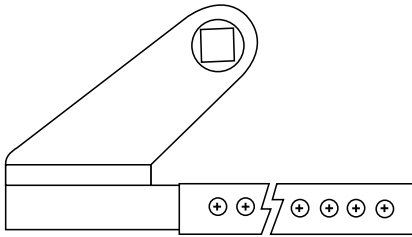


Adjusting Rod Assembly  
400ST-1AR<sup>1</sup>

Arm Stud  
400AS

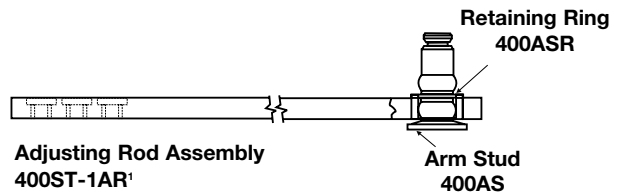
Retaining Ring  
400ASR

## DOUBLE EGRESS ARM ASSEMBLY



Arm Tube Assembly  
400ST-1ATR<sup>1</sup> (right hand)  
400ST-1ATL<sup>1</sup> (left hand)

### 400PT-DE-1R (Right Hand)<sup>1,2</sup> 400PT-DE-1L (Left Hand)<sup>1,2</sup>

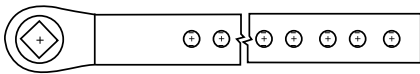


Adjusting Rod Assembly  
400ST-1AR<sup>1</sup>

Arm Stud  
400AS

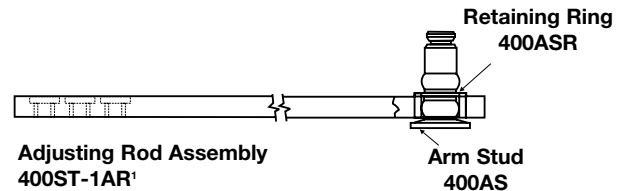
Retaining Ring  
400ASR

## STP ARM ASSEMBLY



Arm Tube Assembly  
400STP-1AT<sup>1</sup>

### 400STP-1A<sup>1,2</sup>



Adjusting Rod Assembly  
400ST-1AR<sup>1</sup>

Arm Stud  
400AS

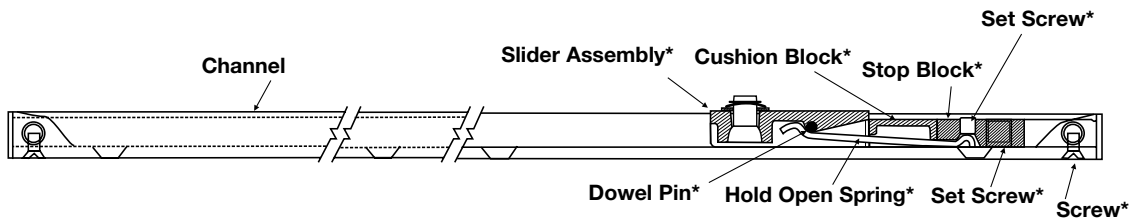
Retaining Ring  
400ASR

1. Includes arm length adjusting screw #400-ALAS
2. Includes arm tube & adjusting rod assembly

Note: Mounting hardware included with all parts orders.

# Track Assemblies 4400ST

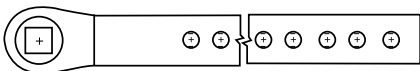
Slide Track Assembly		
Description	Non-Hold Open	Hold Open
Pull side mounted	440ST-1T	440ST-3T
Push side mounted	440ST-5T	440ST-8T



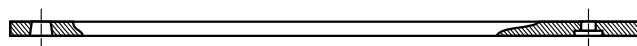
\*Part of an Assembly Pack  
 NHO= 440SLD  
 HO= 440HSLD

## ARM ASSEMBLY

### 440ST-1A<sup>1,2</sup>



Arm Tube Assembly  
 440ST-1AT<sup>2</sup>



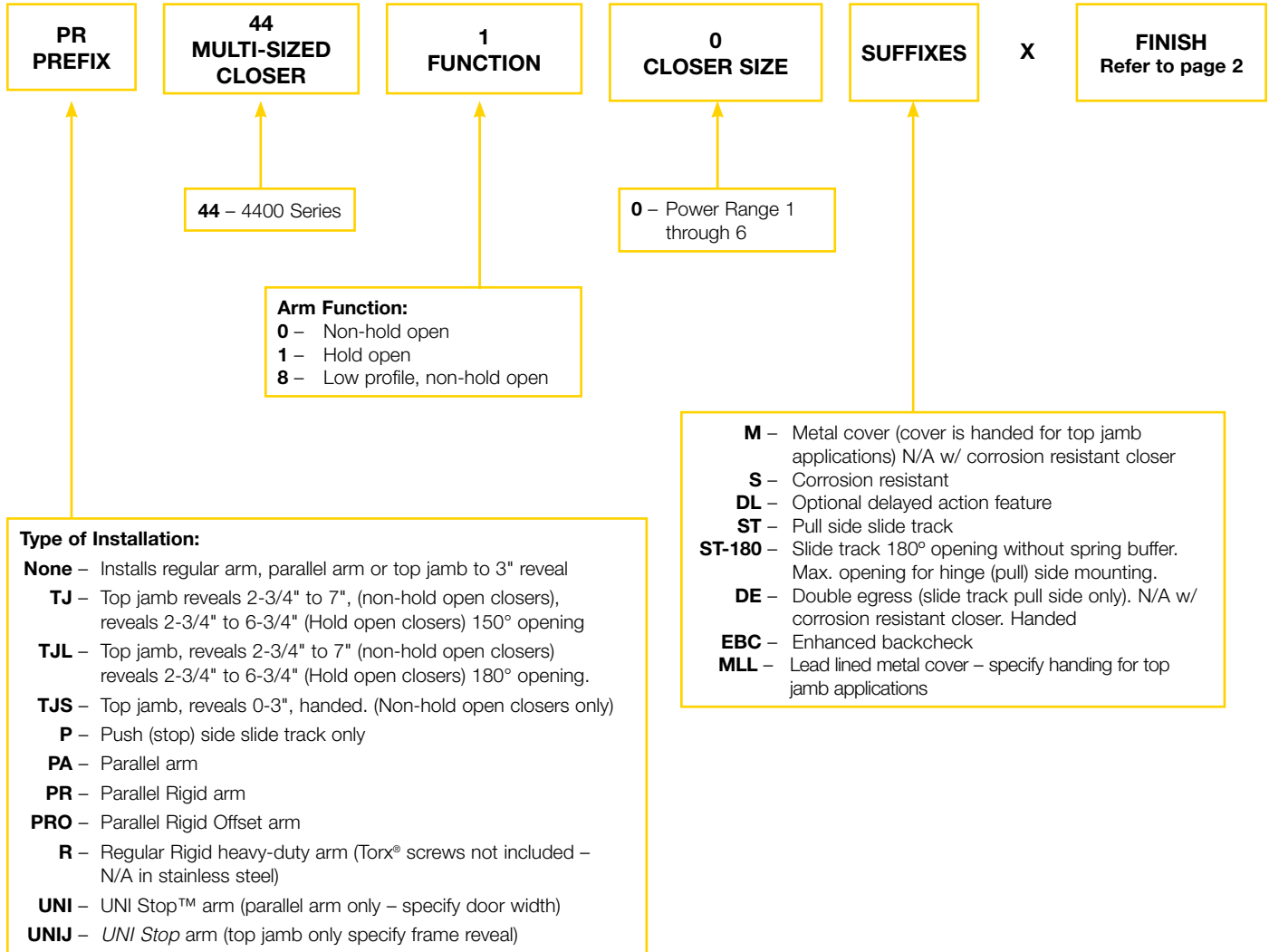
Adjusting Rod Assembly  
 440ST-1AR<sup>2</sup>

1. Includes arm length adjusting screw
2. Includes arm tube & adjusting rod assembly

**Note:** Mounting hardware included with all parts orders.



# How To Order 4400 Series

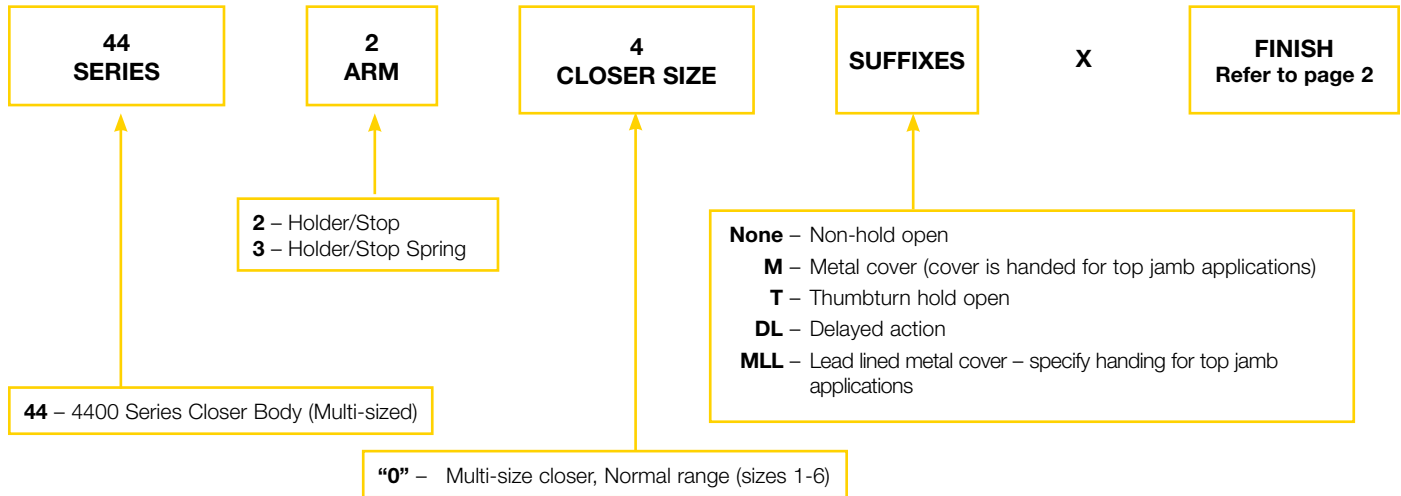


### Note:

- Door closer warranty becomes void if it is installed on the exterior side of a door in the exterior wall of a building.
- It is strongly recommended, and it is required on fire door assemblies, that doors having a door closer be hung on ball-bearing or anti-friction hinges or pivots.
- Failure to use the correct type and size fasteners may void factory warranty.
- Fasteners for fire/smoke door assemblies must conform to NFPA 80. In some applications additional fasteners may be mandated by NFPA 80 that are not shipped with Yale's standard product, such as sleeve nuts (sex nuts) or through bolts and grommet nuts.
- If other fasteners are required, the factory must be consulted to determine if those fasteners can be provided. If the fasteners can be supplied, this information must be clearly stated on the purchase order.
- Contact factory if door weight exceeds 250 lbs.



## How To Order Holder/Stop & Holder Stop Spring Assemblies



### Note:

- Door closer warranty becomes void if it is installed on the exterior side of a door in the exterior wall of a building.
- It is strongly recommended, and it is required on fire door assemblies, that doors having a door closer be hung on ball-bearing or anti-friction hinges or pivots.
- Failure to use the correct type and size fasteners may void factory warranty.
- Fasteners for fire/smoke door assemblies must conform to NFPA 80. In some applications additional fasteners may be mandated by NFPA 80 that are not shipped with Yale's standard product.
- If other fasteners are required, the factory must be consulted to determine if those fasteners can be provided. If the fasteners can be supplied, this information must be clearly stated on the purchase order.
- Contact factory if door weight exceeds 250 lbs.



---

## Contact Us

### **U.S.A.**

#### **Yale Locks & Hardware**

Address: 225 Episcopal Road  
Berlin, CT 06037-4004  
Tel: 1-800-438-1951  
Fax: 1-800-338-0965  
yalelocks.com

### **Canada:**

#### **ASSA ABLOY Door Security Solutions Canada**

Address: 160 Four Valley Drive  
Vaughan, Ontario L4K 4T9  
Tel: 1-800-461-3007  
Fax: 1-800-461-8989  
assaabloy.ca

### **International:**

#### **ASSA ABLOY Americas International**

Tel: 1-905-821-7775  
Fax: 1-905-821-1429  
assaabloyai.com

Yale Locks & Hardware is a division of Yale Security Inc., an ASSA ABLOY Group company.

Yale® is a registered trademark of Yale Security Inc., an ASSA ABLOY Group company. Uni Stop™ is a trademark of Yale Security Inc., an ASSA ABLOY Group company. Other products' brand names may be trademarks or registered trademarks of their respective owners and are mentioned for reference purposes only. These materials are protected under U.S. copyright laws. All contents current at time of publication. Yale Security, Inc. reserves the right to change availability of any item in this catalog, its design, construction, and/or its materials. Copyright © 2001-2015, Yale Security Inc., an ASSA ABLOY Group company. All rights reserved. Reproduction in whole or in part without the express written permission of Yale Security Inc., an ASSA ABLOY Group company is prohibited.

**YALE**, with its unique global reach and range of products, is the world's favorite lock.

**ASSA ABLOY** is the global leader in door opening solutions, dedicated to satisfying end-user needs for security, safety and convenience.

42081-10/15R